

Model

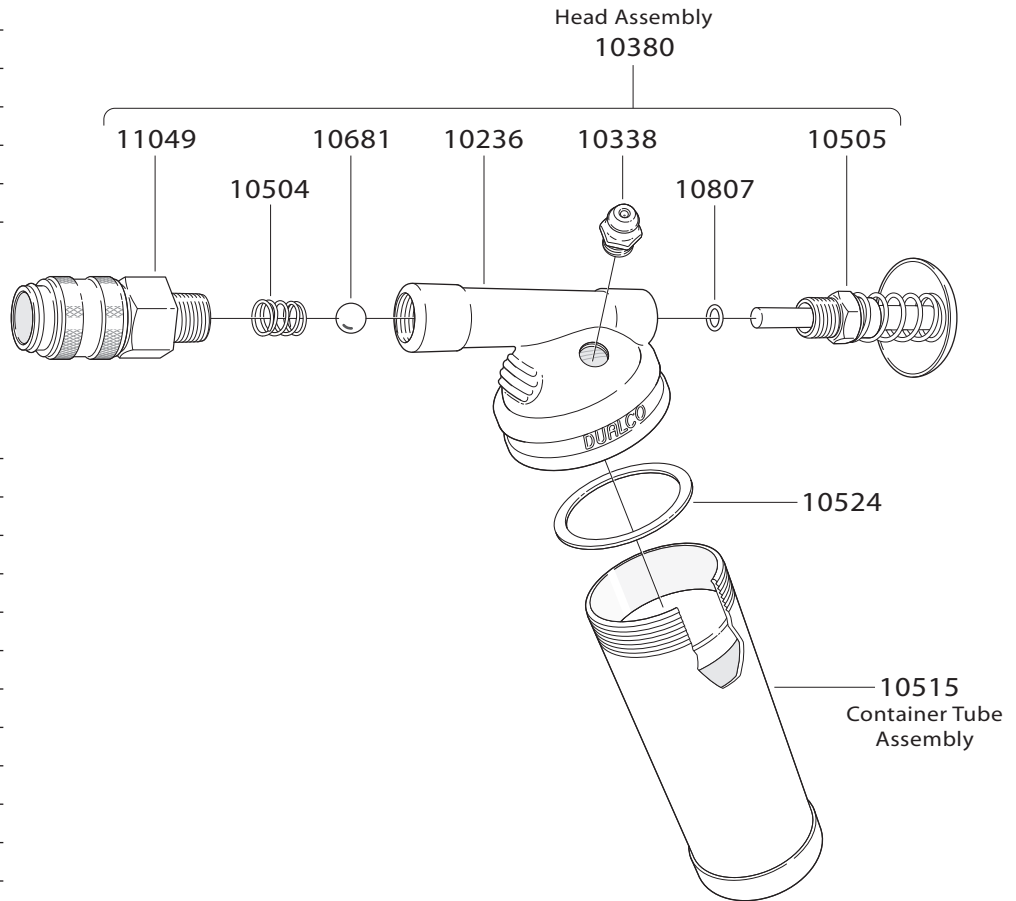
10590

Push Type Utility Grease Gun

Replacement Parts

Specifications

Vacuum Prime
Pump Head Length 5-5/16"
Net Weight 10 oz.
Zinc Plated
3,000 psi Rated
3 oz. Capacity

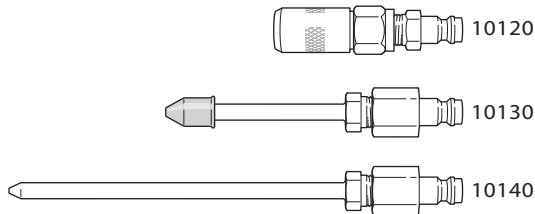


Parts List

Part No.	Description
10380	Head Assembly
11049	Quick Connect Coupler
10504	Check Spring
10681	Check Ball
10236	Head
10338	Zerk Grease Fitting
10807	"O" Ring
10505	Plunger Assembly
10524	Head Gasket
10515	Container Tube Assembly

Optional Parts & Accessories

• All of our products are highly modular in design, making it easy to create exactly the lubrication tools you need. These represent the most popular options, and many other accessories are available.



Model	Description	Length	Connection
10120	Hydraulic Coupler with 3 Jaw built-in ball check outlet	2-3/8"	Quick Connect
10130	Rubber Tipped Nozzle on Stainless Fitting	3-1/2"	Quick Connect
10140	Narrow Stainless Tip for all flush type grease fittings or hard to reach places	5-1/2"	Quick Connect



DUALCO • 8404 Braniff, Houston, Texas 77061
 713-644-1164 • FAX 713-644-7761
 www.dualco-inc.com
 E-Mail: dualco@dualco-inc.com



Manufacturers of Professional Lubrication Equipment since 1960
 Made in USA

