

Model

700231**Push Type
Utility Grease Gun****Replacement Parts****Specifications**

Vacuum Prime

Pump Head Length 4-5/8"

Net Weight 9 oz.

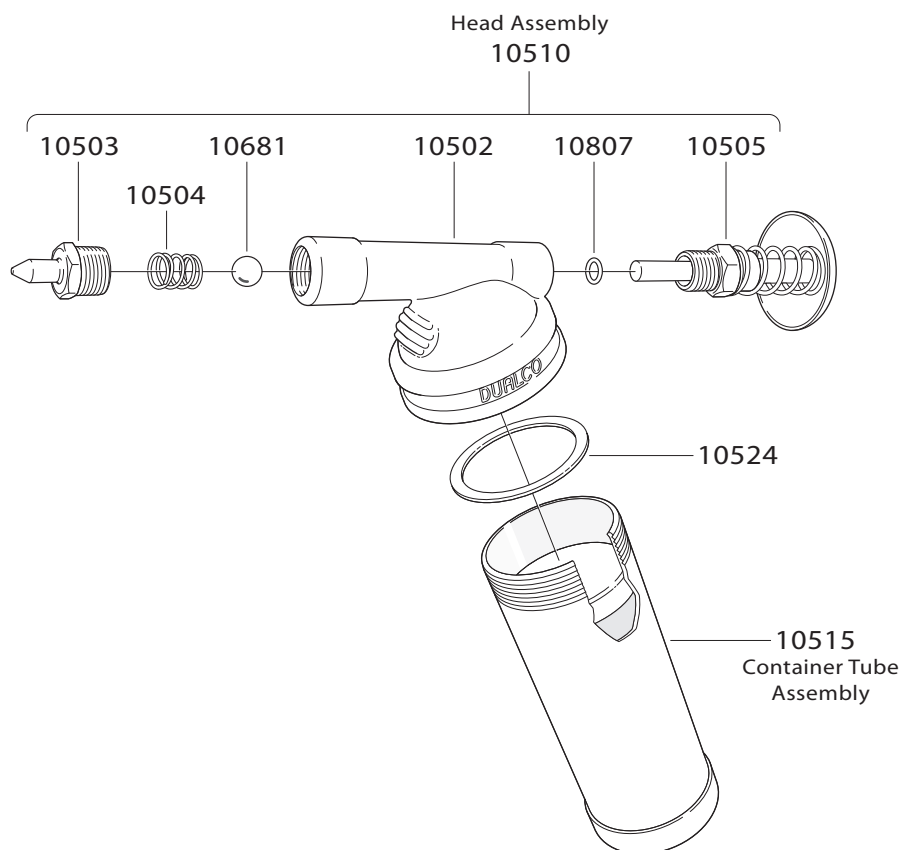
Zinc Plated

3,000 psi Rated

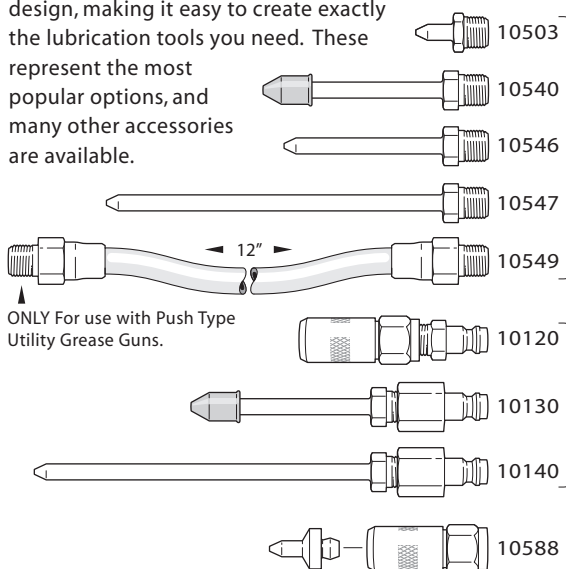
3 oz. Capacity

Parts List

| Part No. | Description |
|----------|-------------------------|
| 10502 | Head |
| 10503 | Needle Nozzle |
| 10504 | Check Spring |
| 10505 | Plunger Assembly |
| 10510 | Head Assembly |
| 10515 | Container Tube Assembly |
| 10524 | Head Gasket |
| 10681 | Check Ball |
| 10807 | "O" Ring |

**Optional Parts & Accessories**

• All of our products are highly modular in design, making it easy to create exactly the lubrication tools you need. These represent the most popular options, and many other accessories are available.



ONLY For use with Push Type Utility Grease Guns.

Standard

| Model | Description | Length | Connection |
|-------|---|---------|-----------------|
| 10503 | Hardened Needle Tip Nozzle for all flush type grease fittings. | 13/16" | 1/8" NPT thread |
| 10540 | Rubber Tipped Nozzle on Stainless Fitting | 2-9/16" | 1/8" NPT thread |
| 10546 | Narrow Stainless Tip for all flush type grease fittings or hard to reach places | 2-1/4" | 1/8" NPT thread |
| 10547 | Narrow Stainless Tip for all flush type grease fittings or hard to reach places | 4-1/2" | 1/8" NPT thread |
| 10549 | Hose Assembly • Flexible extension for hard to reach places | 12" | 1/8" NPT thread |

Quick Disconnect System

| Model | Description | Length | Connection |
|-------|---|---------|------------------|
| 11049 | Quick Disconnect Coupler • For fast tip changes | 1-9/16" | 1/8" NPT thread |
| 10120 | Hydraulic Coupler with 3 Jaw built-in ball check outlet | 2-3/8" | Quick Disconnect |
| 10130 | Rubber Tipped Nozzle on Stainless Fitting | 3-1/2" | Quick Disconnect |
| 10140 | Narrow Stainless Tip for all flush type grease fittings or hard to reach places | 5-1/2" | Quick Disconnect |

Needle/Hydraulic Coupler Combo

10574 Needle Nozzle Adapter + 10548 Hydraulic Coupler
Mounts to grease gun with 10551 Pipe nipple.

DUALCO

All Rights Reserved. © Copyright 2013 DUALCO Inc.

DUALCO • 8404 Braniff, Houston, Texas 77061
713-644-1164 • FAX 713-644-7761
www.dualco-inc.com
E-Mail: dualco@dualco-inc.com



Manufacturers of
Professional Lubrication
Equipment since 1960
Made in USA

