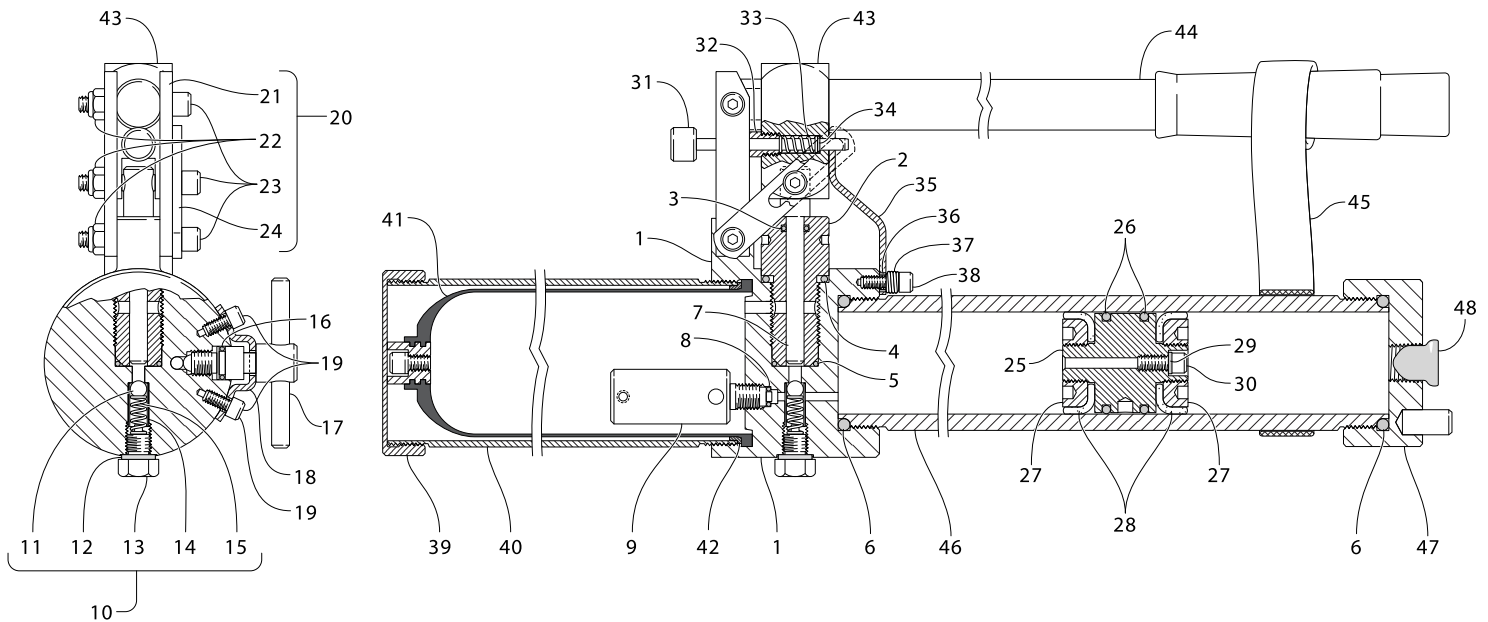


## Parts List



## Body Assembly 10780

Key	Description	Part No.
1	Body	10782
2	Cylinder	★ ◎ ○ 10784
3	"O" Ring (Plunger)	★ ◎ ※ * 10842
4	"O" Ring (Cylinder Upper)	★ ◎ ※ * 10788
5	"O" Ring (Cylinder Lower)	★ ◎ ※ * 10626
6	"O" Ring (Grease Barrel) (2 Required)	★ ◎ ※ * 10811
7	Plunger	★ ◎ ○ 10785
8	"O" Ring (Internal Relief Valve)	★ ◎ ※ * 10807
9	Internal Relief Valve (bulletin 99-190)	◎ 10864
10	Check Valve Assembly ▲	★ ◎ 10790
11	▲ Ball	* 10904
12	▲ Gasket	* 10791
13	▲ Check Valve Screw	10789
14	▲ Filter Screen	* 10793
15	▲ Spring	10792
16	"O" Ring (By-Pass Valve)	★ ◎ ※ * 10048
17	By-Pass Valve	10795
18	Stem Retainer	10808
19	Cap Screw (2 Required)	10798

## Link Assembly

20	Link Assembly	10781
21	Link (2 Required)	10777
22	Lock Nut (3 Required)	10778

## Link Assembly (continued)

23	Stripper Bolt (3 Required)	10779
24	Link Stop	11063

## Piston Assembly 10810

25	Piston	10815
26	"O" Ring (Piston) (2 Required)	★ ◎ ※ * ◆ 10818
27	Washer Nut (2 Required)	10819
28	Leather Cup (2 Required)	★ ◎ ※ ◆ 10821
29	Gasket	★ ◎ ※ 10817
30	Cap Screw	◎ 10816

## Latch Assembly 10830

31	Stem & Knob Assembly	10835
32	Latch Screw	10833
33	Latch Spring, Internal	10837
34	Retaining Ring	10839
35	Latch Arm	10831
36	Latch Sleeve	10832
37	Latch Spring, External	10843
38	Cap Screw	10838

## General

39	Fluid Bag Barrel Cap	10823
40	Fluid Bag Barrel	10822

## General (continued)

Key	Description	Part No.
41	Fluid Bag / Bleeder Assembly	★ ◎ 10820
42	Fluid Bag Seal Ring	◎ 10828
43	Fulcrum Assembly	10772
44	Handle	10776
45	Handle Strap	11339
46	Grease Barrel	10961
47	Grease Barrel Cap	10813
48	Protective Plug (for Grease Barrel Cap)	10568
	Cylinder Spanner Wrench	○ 10895

## DUALCO Hydraulic Fluid

1 - Pint Can	★ ◎ 10829
4 - oz. Can (Included with Hydraulic Grease Gun)	○ 10895
1 - Quart Bottle	11019
1 - Gallon Can	10912

## Repair &amp; Maintenance Kits

★	Repair Kit, Minor	10295
◎	Repair Kit, Major	10840
※	"O" Ring Kit	11055
*	Seal Kit	11065
○	Cylinder Repair Kit	11484
◆	Piston Seal Kit	11598