

GIANT BUTTON HEAD FITTINGS RATED TO 10,000 PSI

PART NO.	THREAD SIZE	MATERIAL	PLATING	HEAT TREATMENT	BALL	SPRING	DOUBLE BALL CHECK
10411	1/4" NPT	1215	Zinc-Cobalt	-----	CA*	302 SS	
10412	1/4" NPT	316 SS	-----	Annealed (NACE)	K-Monel®	Inconel X-750	
10413	3/8" NPT	1215	Zinc-Cobalt	-----	CA*	302 SS	
10414	3/8" NPT	316 SS	-----	Annealed (NACE)	K-Monel®	Inconel X-750	
10415	1/2" NPT	1215	Zinc-Cobalt	-----	CA*	302 SS	
10416	1/2" NPT	316 SS	-----	Annealed (NACE)	K-Monel®	Inconel X-750	
10417	3/4" NPT	1215	Zinc-Cobalt	-----	CA*	302 SS	
10418	3/4" NPT	316 SS	-----	Annealed (NACE)	K-Monel®	Inconel X-750	
10373	1" NPT	1215	Zinc-Cobalt	-----	CA*	302 SS	
10374	1" NPT	316 SS	-----	Annealed (NACE)	K-Monel®	Inconel X-750	
10376	5/8" - 11 UNC	1215	Zinc-Cobalt	-----	CA*	302 SS	
10377	3/4" 10 UNC	1215	Zinc-Cobalt	-----	CA*	302 SS	
10283	1/4" NPT	4140	-----	Rc 22 Max (NACE)	K-Monel®	Inconel X-750	
PART NO.	THREAD SIZE	MATERIAL	PLATING	HEAT TREATMENT	BALL	SPRING	
10401	1/8" NPT	1215	Zinc-Cobalt	-----	CA*	302 SS	
10402	1/8" NPT	316 SS	-----	Annealed (NACE)	K-Monel®	Inconel X-750	
10403	1/4" NPT	1215	Zinc-Cobalt	-----	CA*	302 SS	
10404	1/4" NPT	316 SS	-----	Annealed (NACE)	K-Monel®	Inconel X-750	
10405	3/8" NPT	1215	Zinc-Cobalt	-----	CA*	302 SS	
10406	3/8" NPT	316 SS	-----	Annealed (NACE)	K-Monel®	Inconel X-750	
10407	1/2" NPT	1215	Zinc-Cobalt	-----	CA*	302 SS	
10408	1/2" NPT	316 SS	-----	Annealed (NACE)	K-Monel®	Inconel X-750	
10372	3/8" -16 -UNC	1215	Zinc-Cobalt	-----	CA*	302 SS	

* CA = AISI 52100 CHROME ALLOY – OTHER MATERIALS, OPTIONS, SIZES, AND PLATING AVAILABLE



8404 BRANIFF, HOUSTON, TEXAS 77061 * 713-644-1164 * FAX 713-644-7761

TOLL FREE 877-538-2526 OR 877-5DUALCO

E-MAIL: dualco@dualco-inc.com * www.dualco-inc.com

VENT CAP FITTINGS RATED TO 10,000 PSI

PART NO.	THREAD SIZE	MATERIAL	PLATING	HEAT TREATMENT	BALL	SPRING	WITH GIANT BUTTON HEAD
10435	1/4" NPT	1215	Zinc-Cobalt	-----	CA*	302 SS	
10438	1/4" NPT	4140	Zinc-Cobalt	Rc 22 Max (NACE)	K-Monel®	Inconel X-750	
10437	1/4" NPT	316 SS	-----	Annealed (NACE)	K-Monel®	Inconel X-750	
10439	3/8" NPT	1215	Zinc-Cobalt	-----	CA*	302 SS	
10442	3/8" NPT	4140	Zinc-Cobalt	Rc 22 Max (NACE)	K-Monel®	Inconel X-750	
10441	3/8" NPT	316 SS	-----	Annealed (NACE)	K-Monel®	Inconel X-750	
10443	1/2" NPT	1215	Zinc-Cobalt	-----	CA*	302 SS	
10446	1/2" NPT	4140	Zinc-Cobalt	Rc 22 Max (NACE)	K-Monel®	Inconel X-750	
10445	1/2" NPT	316 SS	-----	Annealed (NACE)	K-Monel®	Inconel X-750	
10319	3/4" NPT	1215	Zinc-Cobalt	-----	CA*	302 SS	
10322	3/4" NPT	4140	Zinc-Cobalt	Rc 22 Max (NACE)	K-Monel®	Inconel X-750	
10323	3/4" NPT	316 SS	-----	Annealed (NACE)	K-Monel®	Inconel X-750	
10324	1" NPT	1215	Zinc-Cobalt	-----	CA*	302 SS	
10327	1" NPT	4140	Zinc-Cobalt	Rc 22 Max (NACE)	K-Monel®	Inconel X-750	
10328	1" NPT	316 SS	-----	Annealed (NACE)	K-Monel®	Inconel X-750	
PART NO.	THREAD SIZE	MATERIAL	PLATING	HEAT TREATMENT	BALL	SPRING	WITHOUT GIANT BUTTON HEAD
10421	1/4" NPT	1215	Zinc-Cobalt	-----	CA*	302 SS	
10424	1/4" NPT	4140	Zinc-Cobalt	Rc 22 Max (NACE)	K-Monel®	Inconel X-750	
10423	1/4" NPT	316 SS	-----	Annealed (NACE)	K-Monel®	Inconel X-750	
10425	3/8" NPT	1215	Zinc-Cobalt	-----	CA*	302 SS	
10428	3/8" NPT	4140	Zinc-Cobalt	Rc 22 Max (NACE)	K-Monel®	Inconel X-750	
10427	3/8" NPT	316 SS	-----	Annealed (NACE)	K-Monel®	Inconel X-750	
10429	1/2" NPT	1215	Zinc-Cobalt	-----	CA*	302 SS	
10432	1/2" NPT	4140	Zinc-Cobalt	Rc 22 Max (NACE)	K-Monel®	Inconel X-750	
10431	1/2" NPT	316 SS	-----	Annealed (NACE)	K-Monel®	Inconel X-750	
10309	3/4" NPT	1215	Zinc-Cobalt	-----	CA*	302 SS	
10312	3/4" NPT	4140	Zinc-Cobalt	Rc 22 Max (NACE)	K-Monel®	Inconel X-750	
10313	3/4" NPT	316 SS	-----	Annealed (NACE)	K-Monel®	Inconel X-750	
10314	1" NPT	1215	Zinc-Cobalt	-----	CA*	302 SS	
10317	1" NPT	4140	Zinc-Cobalt	Rc 22 Max (NACE)	K-Monel®	Inconel X-750	
10318	1" NPT	316 SS	-----	Annealed (NACE)	K-Monel®	Inconel X-750	

*CA = AISI 52100 CHROME ALLOY -- OTHER MATERIALS, OPTIONS, SIZES, AND PLATING AVAILABLE



8404 BRANIFF, HOUSTON, TEXAS 77061 * 713-644-1164 * FAX 713-644-7761

TOLL FREE 877-538-2526 OR 877-5DUALCO

E-MAIL: dualco@dualco-inc.com * www.dualco-inc.com

INJECTION FITTINGS – LUBE STICK RATED TO 10,000 PSI

PART NO.	THREAD SIZE	MATERIAL	PLATING	HEAT TREATMENT	BALL	SPRING	O.A.L.	DOUBLE BALL CHECK
10450	1/4" NPSM	1215	Zinc-Cobalt	-----	CA*	302 SS	2-7/16"	
10451	1/4" NPSM	316 SS	-----	Annealed (NACE)	K-Monel®	Inconel X-750	2-7/16"	
10452	3/8" NPSM	1215	Zinc-Cobalt	-----	CA*	302 SS	3-3/8"	
10453	3/8" NPSM	316 SS	-----	Annealed (NACE)	K-Monel®	Inconel X-750	3-3/8"	
10454	1/2" NPSM	1215	Zinc-Cobalt	-----	CA*	302 SS	3-11/16"	
10455	1/2" NPSM	316 SS	-----	Annealed (NACE)	K-Monel®	Inconel X-750	3-11/16"	
10456	3/4" NPSM	1215	Zinc-Cobalt	-----	CA*	302 SS	4-5/8"	
10457	3/4" NPSM	316 SS	-----	Annealed (NACE)	K-Monel®	Inconel X-750	4-5/8"	
10433	5/8" – 11 UNC	1215	Zinc-Cobalt	-----	CA*	302 SS	2-7/8"	
10434	3/4" - 10 UNC	1215	Zinc-Cobalt	-----	CA*	302 SS	3-1/16"	
10447	7/8" - 9 UNC	1215	Zinc-Cobalt	-----	CA*	302 SS	3-1/8"	
PART NO.	THREAD SIZE	MATERIAL	PLATING	HEAT TREATMENT	BALL	SPRING	O.A.L.	SINGLE BALL CHECK
10378	1/4" NPSM	1215	Zinc-Cobalt	-----	CA*	302 SS	2-3/8"	
10379	1/4" NPSM	316 SS	-----	Annealed (NACE)	K-Monel®	Inconel X-750	2-3/8"	
10381	3/8" NPSM	1215	Zinc-Cobalt	-----	CA*	302 SS	3-1/32"	
10382	3/8" NPSM	316 SS	-----	Annealed (NACE)	K-Monel®	Inconel X-750	3-1/32"	
10383	1/2" NPSM	1215	Zinc-Cobalt	-----	CA*	302 SS	3-5/8"	
10384	1/2" NPSM	316 SS	-----	Annealed (NACE)	K-Monel®	Inconel X-750	3-5/8"	
10386	3/4" NPSM	1215	Zinc-Cobalt	-----	CA*	302 SS	4-3/4"	
10387	3/4" NPSM	316 SS	-----	Annealed (NACE)	K-Monel®	Inconel X-750	4-3/4"	
10388	3/8" - 16 UNC	1215	Zinc-Cobalt	-----	CA*	302 SS	1-1/2"	
10389	1/2" - 13 UNC	1215	Zinc-Cobalt	-----	CA*	302 SS	2-1/8"	
10391	3/4" - 10 UNC	1215	Zinc-Cobalt	-----	CA*	302 SS	3-9/32"	
10392	1" - 10 UNC	1215	Zinc-Cobalt	-----	CA*	302 SS	4-5/8"	

* CA = AISI 52100 CHROME ALLOY - OTHER MATERIALS, OPTIONS, SIZES, AND PLATING AVAILABLE



8404 BRANIFF, HOUSTON, TEXAS 77061 * 713-644-1164 * FAX 713-644-7761
TOLL FREE 877-538-2526 OR 877-5DUALCO

E-MAIL: dualco@dualco-inc.com * www.dualco-inc.com

**LOCK SEAL FITTINGS (Double Ball Check – Two Pieces)
RATED TO 10,000 PSI**

PART NO.	THREAD SIZE	MATERIAL	PLATING	HEAT TREATMENT	BALL	SPRING	WITH GIANT BUTTON HEAD
10460	1/4" NPT	1215	Zinc-Cobalt	-----	CA*	302 SS	
10306	1/4" NPT	4140	Zinc-Cobalt	Rc22 Max (NACE)	K-Monel®	Inconel X-750	
10461	1/4" NPT	316 SS	-----	Annealed (NACE)	K-Monel®	Inconel X-750	
10462	3/8" NPT	1215	Zinc-Cobalt	-----	CA*	302 SS	
10307	3/8" NPT	4140	Zinc-Cobalt	Rc22 Max (NACE)	K-Monel®	Inconel X-750	
10463	3/8" NPT	316 SS	-----	Annealed (NACE)	K-Monel®	Inconel X-750	
10464	1/2" NPT	1215	Zinc-Cobalt	-----	CA*	302 SS	
10308	1/2" NPT	4140	Zinc-Cobalt	Rc22 Max (NACE)	K-Monel®	Inconel X-750	
10465	1/2" NPT	316 SS	-----	Annealed (NACE)	K-Monel®	Inconel X-750	
10466	3/4" NPT	1215	Zinc-Cobalt	-----	CA*	302 SS	
10467	3/4" NPT	316 SS	-----	Annealed (NACE)	K-Monel®	Inconel X-750	

**PACKING INJECTION FITTINGS (Floating Ball-Taper Cavity)
RATED TO 10,000 PSI**

PART NO.	THREAD SIZE	MATERIAL	PLATING	HEAT TREATMENT	BALL	
10470	1/4" NPT	1215	Zinc-Cobalt	-----	302 SS	
10368	1/4" NPT	4140	Zinc-Cobalt	Rc Max (NACE)	K-Monel®	
10471	1/4" NPT	316 SS	-----	Annealed (NACE)	K-Monel®	
10472	3/8" NPT	1215	Zinc-Cobalt	-----	302 SS	
10474	3/8" NPT	316 SS	-----	Annealed (NACE)	K-Monel®	
10475	3/8" NPT	4140	Zinc-Cobalt	Rc Max (NACE)	K-Monel®	
10476	1/2" NPT	1215	Zinc-Cobalt	-----	302 SS	
479	1/2" NPT	4140	Zinc-Cobalt	Rc Max (NACE)	K-Monel®	
10478	1/2" NPT	316 SS	-----	Annealed (NACE)	K-Monel®	
10369	5/8" - 11 UNC	1215	Zinc-Cobalt	-----	302 SS	
10371	3/4" - 10 UNC	1215	Zinc-Cobalt	-----	302 SS	

* CA = AISI 52100 CHROME ALLOY – OTHER MATERIALS, OPTIONS, SIZES, AND PLATING AVAILABLE

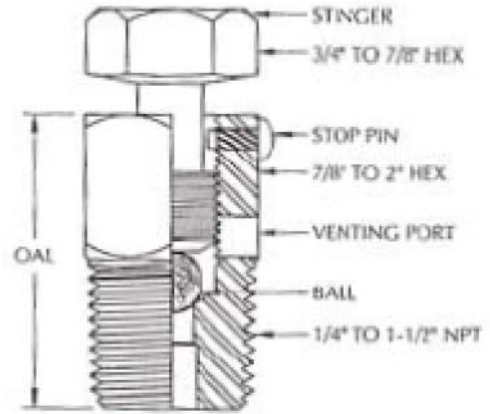


8404 BRANIFF, HOUSTON, TEXAS 77061 * 713-644-1164 * FAX 713-644-7761
TOLL FREE 877-538-2526 OR 877-5DUALCO

E-MAIL: dualco@dualco-inc.com * www.dualco-inc.com

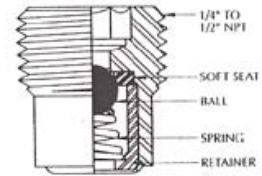
**BLEEDER PLUGS (Hex Head)
RATED TO 10,000 PSI**

PART NO.	THREAD SIZE	MATERIAL	HEX SIZE	O.A.L.	PLATING	HEAT TREATMENT	BALL
10492	1/4" NPT	1215	7/8"	1-5/8"	Zinc-Cobalt	-----	440 SS
10485	1/4" NPT	4140	7/8"	1-5/8"	Zinc-Cobalt	Rc 22 Max (NACE)	TC*
10489	1/4" NPT	316 SS	7/8"	1-5/8"	-----	Annealed (NACE)	TC*
10484	3/8" NPT	1215	7/8"	1-9/16"	Zinc-Cobalt	-----	440 SS
10487	3/8" NPT	4140	7/8"	1-9/16"	Zinc-Cobalt	Rc 22 Max (NACE)	TC*
10486	3/8" NPT	316 SS	7/8"	1-9/16"	-----	Annealed (NACE)	TC*
10488	1/2" NPT	1215	7/8"	1-1/2"	Zinc-Cobalt	-----	440 SS
10491	1/2" NPT	4140	7/8"	1-1/2"	Zinc-Cobalt	Rc 22 Max (NACE)	TC*
10490	1/2" NPT	316 SS	7/8"	1-1/2"	-----	Annealed (NACE)	TC*
10352	3/4" NPT	1215	1-1/8"	1-5/8"	Zinc-Cobalt	-----	440 SS
10353	3/4" NPT	4140	1-1/8"	1-5/8"	Zinc-Cobalt	Rc 22 Max (NACE)	TC*
10354	3/4" NPT	316 SS	1-1/8"	1-5/8"	-----	Annealed (NACE)	TC*
10356	1" NPT	1215	1-5/16"	2-3/16"	Zinc-Cobalt	-----	440 SS
10357	1" NPT	4140	1-5/16"	2-3/16"	Zinc-Cobalt	Rc 22 Max (NACE)	TC*
10358	1" NPT	316 SS	1-5/16"	2-3/16"	-----	Annealed (NACE)	TC*
10359	1-1/4" NPT	1215	1-3/4"	2-5/16"	Zinc-Cobalt	-----	440 SS
10361	1-1/4" NPT	4140	1-3/4"	2-5/16"	Zinc-Cobalt	Rc 22 Max (NACE)	TC*
10362	1-1/4" NPT	316 SS	1-3/4"	2-5/16"	-----	Annealed (NACE)	TC*
10363	1-1/2" NPT	1215	2"	2-5/8"	Zinc-Cobalt	-----	440 SS
10364	1-1/2" NPT	4140	2"	2-5/8"	Zinc-Cobalt	Rc Max (NACE)	TC*
10366	1-1/2" NPT	316 SS	2"	2-5/8"	-----	Annealed (NACE)	TC*



**INTERNAL CHECK VALVE—SINGLE BALL CHECK
RATED TO 10,000 PSI**

PART NO.	THREAD SIZE	MATERIAL	PLATING	HEAT TREATMENT	BALL	SPRING	O.A.L.
11261	1/4" NPT	4140	Zinc-Cobalt	Rc 22 Max (NACE)	K-Monel®	Inconel X-750	3/4"
11262	1/4" NPT	316 SS	-----	Annealed (NACE)	K-Monel®	Inconel X-750	3/4"
11263	3/8" NPT	4140	Zinc-Cobalt	Rc 22 Max (NACE)	K-Monel®	Inconel X-750	7/8"
11264	3/8" NPT	316 SS	-----	Annealed (NACE)	K-Monel®	Inconel X-750	7/8"
11266	1/2" NPT	4140	Zinc-Cobalt	Rc 22 Max (NACE)	K-Monel®	Inconel X-750	15/16"
11267	1/2" NPT	316 SS	-----	Annealed (NACE)	K-Monel®	Inconel X-750	15/16"



* TC = TUNGSTEN CARBIDE - OTHER MATERIALS, OPTIONS, SIZES, AND PLATING AVAILABLE

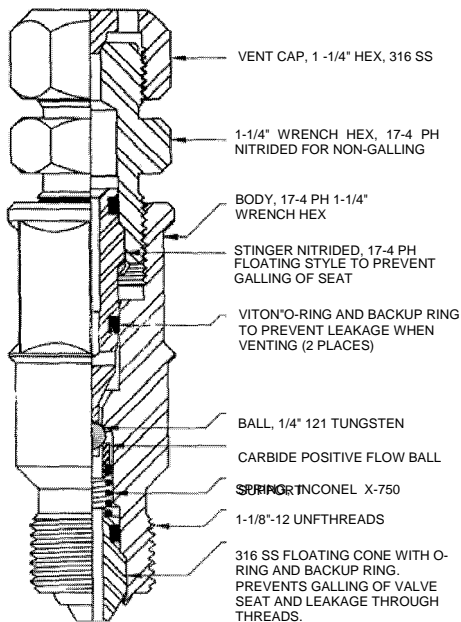


8404 BRANIFF, HOUSTON, TEXAS 77061 * 713-644-1164 * FAX 713-644-7761

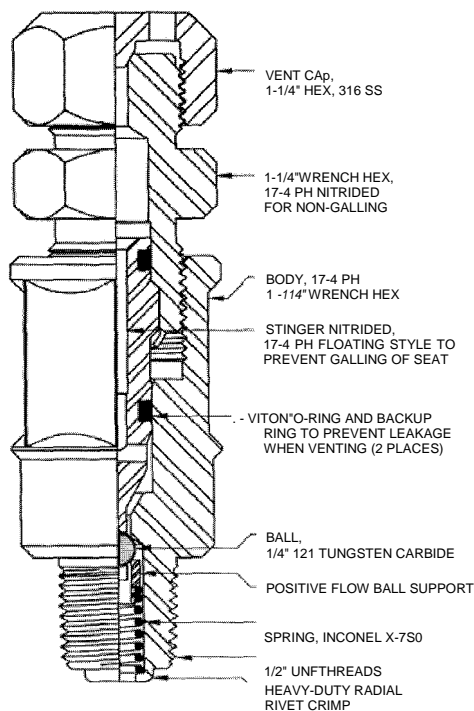
TOLL FREE 877-538-2526 OR 877-5DUALCO

E-MAIL: dualco@dualco-inc.com * www.dualco-inc.com

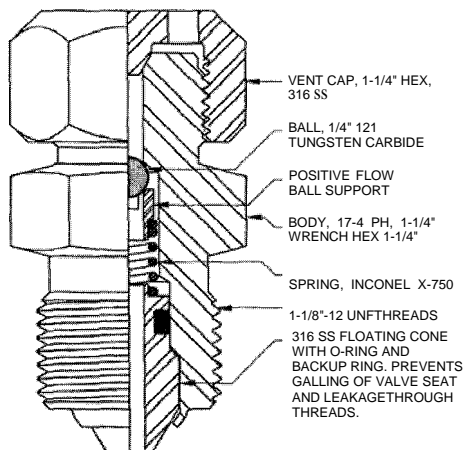
LUBRICATION / SEALANT FITTINGS - HIGH PRESSURE



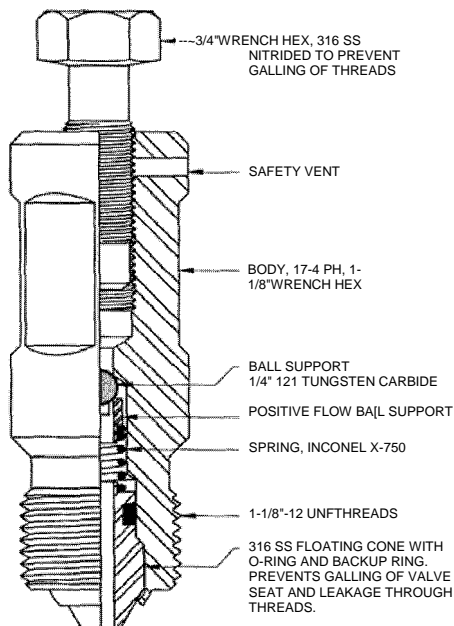
10495 - Blowdown Fitting
9/16\" Autoclave Style - Rated to 20,000 PSI



10496 - Blowdown Fitting 1/2\"
NPT - Rated to 10,000 PSI



10497 - Lubrication Fitting
9/16\" Autoclave Style - Rated to 20,000 PSI



10498 - Packing Injection Fitting
9/16\" Autoclave Style - Rated to 20,000 PSI

OTHER MATERIALS, OPTIONS, SIZES, AND PLATING AVAILABLE

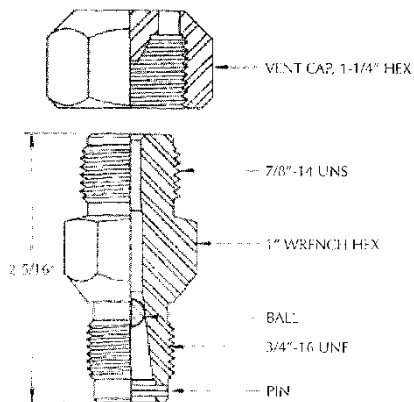


8404 BRANIFF, HOUSTON, TEXAS 77061 * 713-644-1164 * FAX 713-644-7761

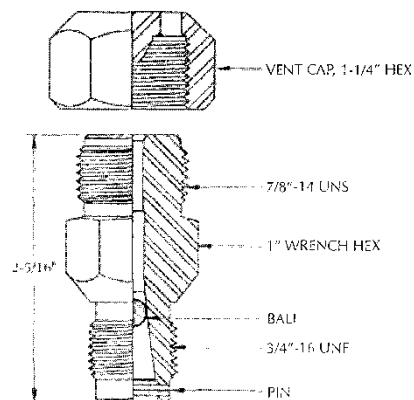
TOLL FREE 877-538-2526 OR 877-5DUALCO

E-MAIL: dualco@dualco-inc.com * www.dualco-inc.com

**VENT CAP FITTINGS - COMPOUND RATED TO
10,000 PSI**



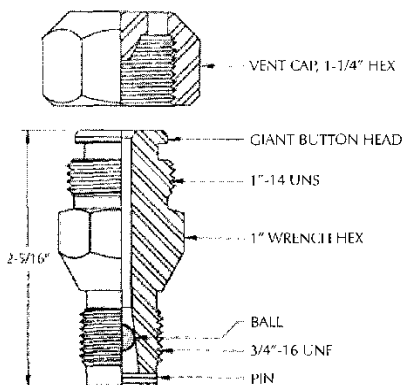
**3/4" - 16 UNF ENGAGEMENT THREAD
7/8" - 14 UNS CAP THREAD**



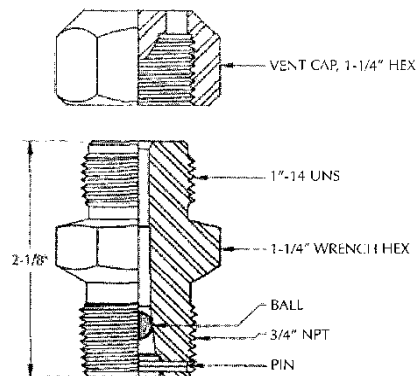
**3/4" - 16 UNF ENGAGEMENT THREAD
1" - 14 UNS CAP THREAD**

PART NO.	MATERIAL	PLATING	HEAT TREATMENT	BALL
10291	1215	Zinc-Cobalt	-----	CA*
10292	4140	Zinc-Cobalt	Rc 22 Max (NACE)	K-Monel®
10293	316 SS	-----	Annealed (NACE)	K-Monel®

PART NO.	MATERIAL	PLATING	HEAT TREATMENT	BALL
10294	1215	Zinc-Cobalt	-----	CA*
10296	4140	Zinc-Cobalt	Rc 22 Max (NACE)	K-Monel®
10297	316 SS	-----	Annealed (NACE)	K-Monel®



**3/4" - 16 UNF ENGAGEMENT THREAD
1" - 14 UNS CAP THREAD with GIANT BUTTON HEAD**



**3/4" NPT ENGAGEMENT THREAD
1" - 14 UNS CAP THREAD**

PART NO.	MATERIAL	PLATING	HEAT TREATMENT	BALL
10291	1215	Zinc-Cobalt	-----	CA*
10292	4140	Zinc-Cobalt	Rc 22 Max (NACE)	K-Monel®
10293	316 SS	-----	Annealed (NACE)	K-Monel®

PART NO.	MATERIAL	PLATING	HEAT TREATMENT	BALL
10294	1215	Zinc-Cobalt	-----	CA*
10296	4140	Zinc-Cobalt	Rc 22 Max (NACE)	K-Monel®
10297	316 SS	-----	Annealed (NACE)	K-Monel®

*CA = AISI 52100 CHROME ALLOY – OTHER MATERIALS, OPTIONS, SIZES, AND PLATING AVAILABLE



8404 BRANIFF, HOUSTON, TEXAS 77061 * 713-644-1164 * FAX 713-644-7761
TOLL FREE 877-538-2526 OR 877-5DUALCO
E-MAIL: dualco@dualco-inc.com * www.dualco-inc.com