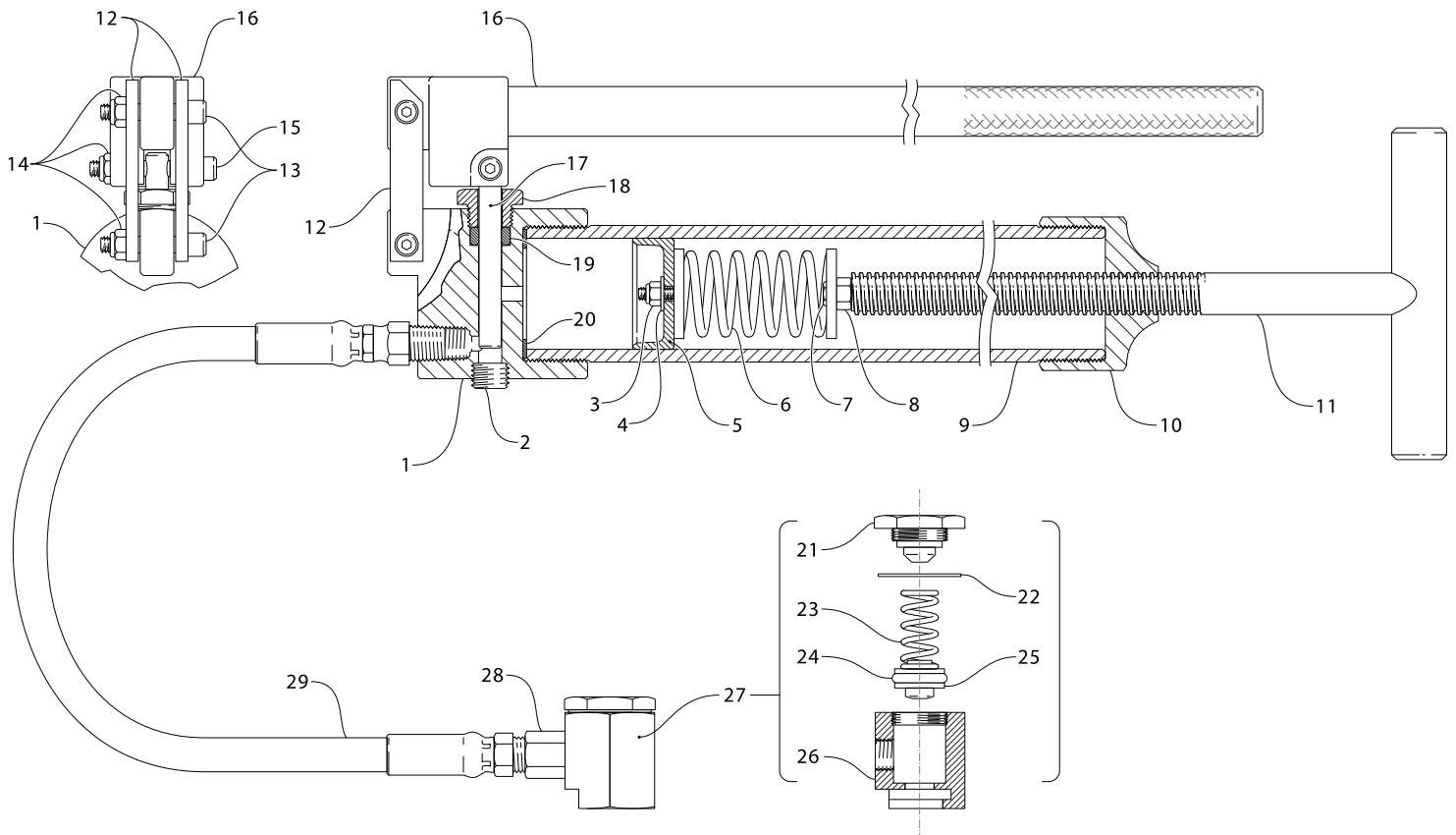


## Parts List



## Parts List 10600 / 10610

Key	Description	Part No.
1	Head	10601
2	Plug	10602
3	Nut: 1/4-28 NF	10603
4	Washer	10605
5	Primer Cup	10894
6	Primer Spring Assembly	10606
7	Screw: 1/4-20 NC x 1"	10607
8	Nut: 1/4-20 NC	10608
9	Barrel	10609
10	Collar	10611
11	Screw Handle	10612
12	Link (2 Required)	10613

## Parts List 10600 / 10610 (continued)

Key	Description	Part No.
13	Stripper Bolt (2 Required)	10614
14	Lock Nut (3 Required)	10778
15	Stripper Bolt	10779
16	Plunger Handle	10617
17	Plunger	10618
18	Packing Nut	10619
19	Packing	10621
20	Head Gasket (Optional)	10622
21	Coupler Cap	10623
22	Coupler Gasket	10624
23	Coupler Spring	10625
24	Coupler "O"-Ring	10626

## Parts List 10600 / 10610 (continued)

Key	Description	Part No.
25	Coupler Piston (Nylon)	10627
26	Coupler Body	10628
27	Coupler G.B.H.	10630
28	Coupler Adapter	10629
29	Hose 12"	10631

## Features

- Hardened, one piece precision ground plunger
- High strength screw handle
- Premium primer die spring
- Adjustable plunger packing

**DUALCO**™

All Rights Reserved. © Copyright 2017 DUALCO Inc.

DUALCO • 8404 Braniff, Houston, Texas 77061  
713-644-1164 • FAX 713-644-7761  
www.dualco-inc.com  
E-Mail: dualco@dualco-inc.com



Manufacturers of  
Professional Lubrication  
Equipment since 1960  
Made in USA

