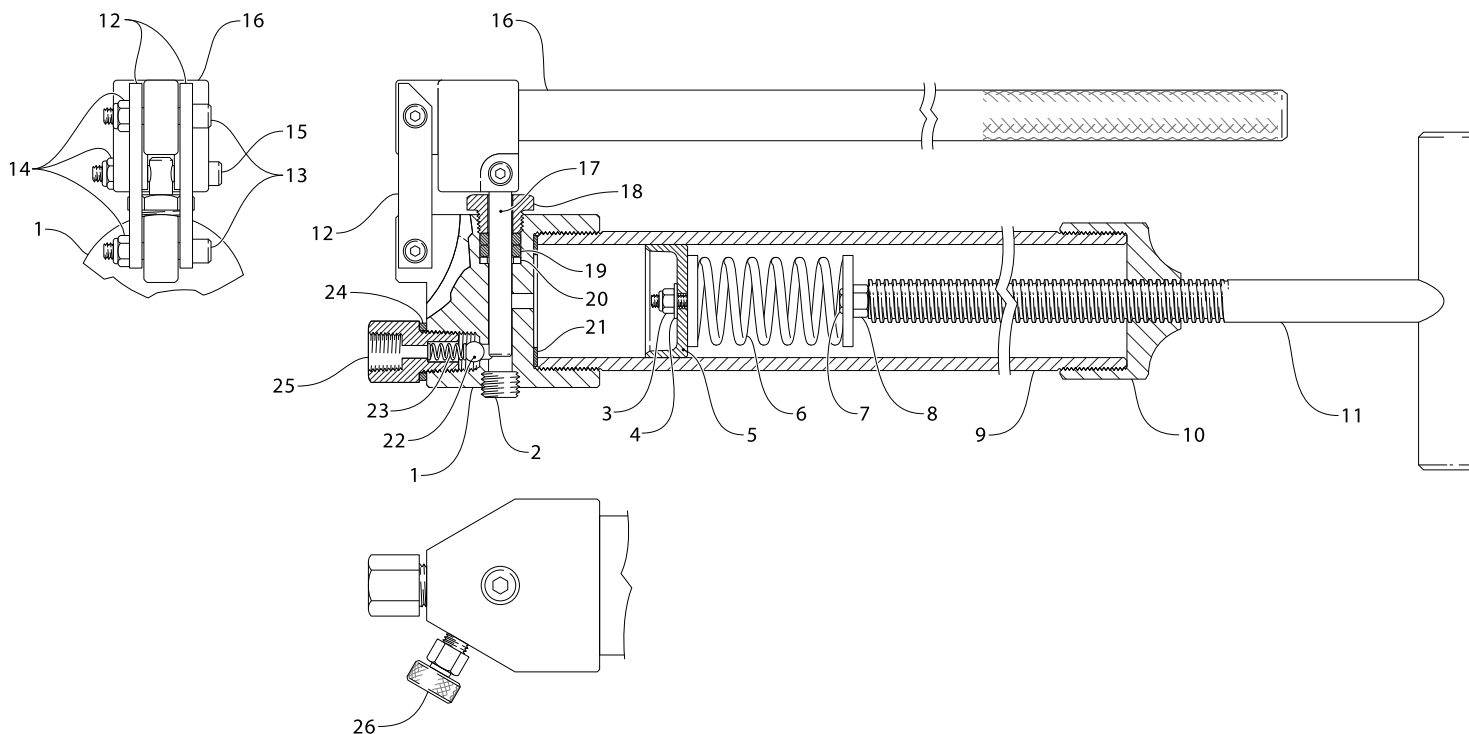


Model

**10680****Screw Prime  
Grease Gun****Parts List****Parts List 10680**

Key	Description	Part No.
1	Head	10854
2	Plug	10602
3	Nut: 1/4-28 NF	10603
4	Washer	10605
5	Primer Cup	10894
6	Primer Spring Assembly	10606
7	Screw: 1/4-20 NC x 1"	10607
8	Nut: 1/4-20 NC	10608
9	Barrel	10609
10	Collar	10611
11	Screw Handle	10612
12	Link (2 Required)	10613
13	Stripper Bolt (2 Required)	10614
14	Lock Nut (3 Required)	10778

**Parts List 10680 (continued)**

Key	Description	Part No.
15	Stripper Bolt	10779
16	Plunger Handle	10617
17	Plunger	10648
18	Packing Nut	10649
19	Packing (2 Required)	10651
20	Packing Adapter	10654
21	Head Gasket (Optional)	10622
22	Ball	10924
23	Spring	10683
24	Gasket	10632
25	Spring Retainer Adapter	10634
26	Pressure Relief Valve	11180

**Features**

- Hardened, one piece precision ground plunger
- High strength screw handle
- Premium primer die spring
- Adjustable plunger packing

**DUALCO**<sup>™</sup>

All Rights Reserved. © Copyright 2018 DUALCO Inc.

DUALCO • 8404 Braniff, Houston, Texas 77061  
 713-644-1164 • FAX 713-644-7761  
 www.dualco-inc.com  
 E-Mail: dualco@dualco-inc.com



Manufacturers of  
 Professional Lubrication  
 Equipment since 1960  
 Made in USA

