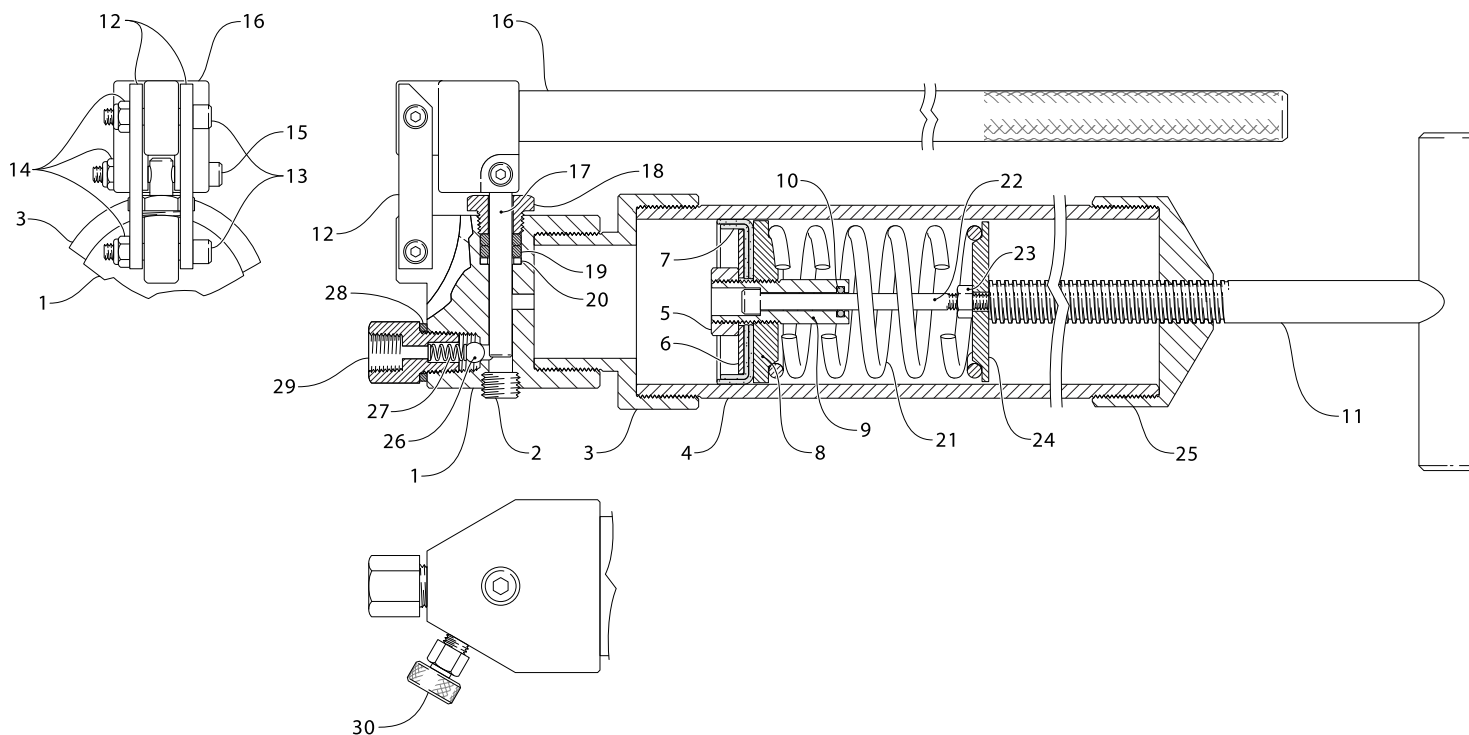


Parts List



Parts List 10760

Key	Description	Part No.
1	Head	10854
2	Plug	10602
3	Barrel Adapter	10676
4	Barrel	10659
5	Piston Jam Nut	10827
6	Fender Washer	10647
7	Primer Cup	10646
8	Spring Adapter	10939
9	Piston Rod	10941
10	"O" Ring	10842
11	Screw Handle	10612
12	Link (2 Required)	10613
13	Stripper Bolt (2 Required)	10614
14	Lock Nut (3 Required)	10778

Parts List 10760 (continued)

Key	Description	Part No.
15	Stripper Bolt	10779
16	Plunger Handle	10617
17	Plunger	10648
18	Packing Nut	10649
19	Packing (2 Required)	10651
20	Packing Adapter	10654
21	Primer Spring	10652
22	Screw: 1/4-20 NC	10938
23	Nut: 1/4-20 NC	10608
24	Spring Adapter	10942
25	Collar	10661
26	Ball	10924
27	Spring	10683
28	Gasket	10632

Parts List 10760 (continued)

Key	Description	Part No.
29	Spring Retainer Adapter	10634
30	Pressure Relief Valve	11180

Features

- Hardened, one piece precision ground plunger
- High strength screw handle
- Premium primer die spring
- Adjustable plunger packing

DUALCO™

All Rights Reserved. © Copyright 2018 DUALCO Inc.

DUALCO • 8404 Braniff, Houston, Texas 77061
713-644-1164 • FAX 713-644-7761
www.dualco-inc.com
E-Mail: dualco@dualco-inc.com



Manufacturers of
Professional Lubrication
Equipment since 1960
Made in USA

