



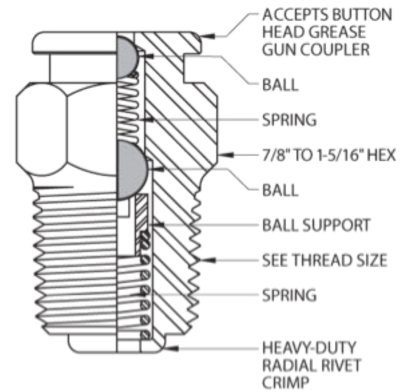
Giant Button Head Fittings

Rated to 10,000 psi

Double Ball Check

Specifications

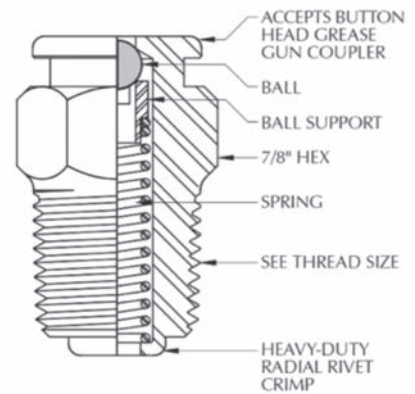
Model	Thread Size	Material	Plating	Heat Treatment	Ball	Spring
10411	1/4" NPT	1215	Zinc-Cobalt	~	CA*	302 SS
10412	1/4" NPT	316 SS	~	Annealed (NACE)	K-Monel®	Inconel X-750
10413	3/8" NPT	1215	Zinc-Cobalt	~	CA*	302 SS
10414	3/8" NPT	316 SS	~	Annealed (NACE)	K-Monel®	Inconel X-750
10415	1/2" NPT	1215	Zinc-Cobalt	~	CA*	302 SS
10416	1/2" NPT	316 SS	~	Annealed (NACE)	K-Monel®	Inconel X-750
10417	3/4" NPT	1215	Zinc-Cobalt	~	CA*	302 SS
10418	3/4" NPT	316 SS	~	Annealed (NACE)	K-Monel®	Inconel X-750
10373	1" NPT	1215	Zinc-Cobalt	~	CA*	302 SS
10374	1" NPT	316 SS	~	Annealed (NACE)	K-Monel®	Inconel X-750
10376	5/8" - 11 UNC	1215	Zinc-Cobalt	~	CA*	302 SS
10377	3/4" - 10 UNC	1215	Zinc-Cobalt	~	CA*	302 SS
10267	3/4" NPT	4140	Zinc-Cobalt	Rc 22 Max (NACE)	K-Monel®	Inconel X-750
10266	1/2" NPT	4140	Zinc-Cobalt	Rc 22 Max (NACE)	K-Monel®	Inconel X-750
10264	3/4" - 16 UNF	4140	Zinc-Cobalt	Rc 22 Max (NACE)	K-Monel®	Inconel X-750
10264TD	3/4" - 16 UNF	4140	Zinc-Cobalt	Rc 22 Max (NACE)	K-Monel®	Inconel X-750
10283	1/4" NPT	4140	Zinc-Cobalt	Rc 22 Max (NACE)	K-Monel®	Inconel X-750



Single Ball Check

Specifications

Model	Thread Size	Material	Plating	Heat Treatment	Ball	Spring
10401	1/8" NPT	1215	Zinc-Cobalt	~	CA*	302 SS
10402	1/8" NPT	316 SS	~	Annealed (NACE)	K-Monel®	Inconel X-750
10403	1/4" NPT	1215	Zinc-Cobalt	~	CA*	302 SS
10404	1/4" NPT	316 SS	~	Annealed (NACE)	K-Monel®	Inconel X-750
10405	3/8" NPT	1215	Zinc-Cobalt	~	CA*	302 SS
10406	3/8" NPT	316 SS	~	Annealed (NACE)	K-Monel®	Inconel X-750
10407	1/2" NPT	1215	Zinc-Cobalt	~	CA*	302 SS
10408	1/2" NPT	316 SS	~	Annealed (NACE)	K-Monel®	Inconel X-750
10372	3/8" - 16	1215	Zinc-Cobalt	~	CA*	302 SS
10268	1/8" NPT	4140	Zinc-Cobalt	Rc 22 Max (NACE)	K-Monel®	Inconel X-750



* CA = AISI 52100 Chrome Alloy • Other materials, options, sizes, and plating available





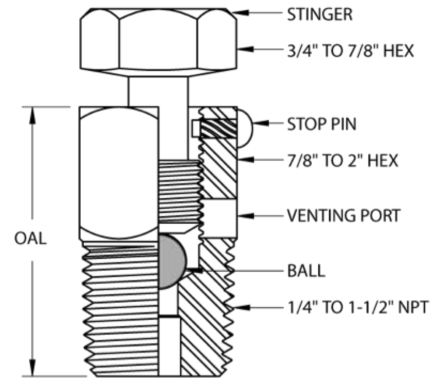
Bleeder Plug Fittings

Rated to 10,000 psi

Hex Head

Specifications

Model	Thread Size	Material	Hex Size	O.A.L.	Plating	Heat Treatment	Ball
10492	1/4" NPT	1215	7/8"	1-5/8"	Zinc-Cobalt	~	440 SS
10485	1/4" NPT	4140	7/8"	1-5/8"	Zinc-Cobalt	Rc 22 Max (NACE)	TC*
10489	1/4" NPT	316 SS	7/8"	1-5/8"	~	Annealed (NACE)	TC*
10484	3/8" NPT	1215	7/8"	1-9/16"	Zinc-Cobalt	~	440 SS
10487	3/8" NPT	4140	7/8"	1-9/16"	Zinc-Cobalt	Rc 22 Max (NACE)	TC*
10486	3/8" NPT	316 SS	7/8"	1-9/16"	~	Annealed (NACE)	TC*
10488	1/2" NPT	1215	7/8"	1-1/2"	Zinc-Cobalt	~	440 SS
10491	1/2" NPT	4140	7/8"	1-1/2"	Zinc-Cobalt	Rc 22 Max (NACE)	TC*
10490	1/2" NPT	316 SS	7/8"	1-1/2"	~	Annealed (NACE)	TC*
10352	3/4" NPT	1215	1-1/8"	1-5/8"	Zinc-Cobalt	~	440 SS
10353	3/4" NPT	4140	1-1/8"	1-5/8"	Zinc-Cobalt	Rc 22 Max (NACE)	TC*
10354	3/4" NPT	316 SS	1-1/8"	1-5/8"	~	Annealed (NACE)	TC*
10356	1" NPT	1215	1-5/16"	2-3/16"	Zinc-Cobalt	~	440 SS
10357	1" NPT	4140	1-5/16"	2-3/16"	Zinc-Cobalt	Rc 22 Max (NACE)	TC*
10358	1" NPT	316 SS	1-5/16"	2-3/16"	~	Annealed (NACE)	TC*
10359	1-1/4" NPT	1215	1-3/4"	2-5/16"	Zinc-Cobalt	~	440 SS
10361	1-1/4" NPT	4140	1-3/4"	2-5/16"	Zinc-Cobalt	Rc 22 Max (NACE)	TC*
10362	1-1/4" NPT	316 SS	1-3/4"	2-5/16"	~	Annealed (NACE)	TC*
10363	1-1/2" NPT	1215	2"	2-5/8"	Zinc-Cobalt	~	440 SS
10364	1-1/2" NPT	4140	2"	2-5/8"	Zinc-Cobalt	Rc Max (NACE)	TC*
10366	1-1/2" NPT	316 SS	2"	2-5/8"	~	Annealed (NACE)	TC*



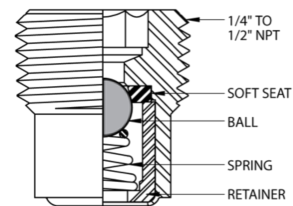
Internal Check Valves

Rated to 10,000 psi

Single Ball Check

Specifications

Model	Thread Size	Material	Plating	Heat Treatment	O.A.L.	Spring	Ball
11261	1/4" NPT	4140	Zinc-Cobalt	Rc 22 Max (NACE)	3/4"	Inconel X-750	K-Monel®
11262	1/4" NPT	316 SS	~	Annealed (NACE)	3/4"	Inconel X-750	K-Monel®
11263	3/8" NPT	4140	Zinc-Cobalt	Rc 22 Max (NACE)	7/8"	Inconel X-750	K-Monel®
11264	3/8" NPT	316 SS	~	Annealed (NACE)	7/8"	Inconel X-750	K-Monel®
11266	1/2" NPT	4140	Zinc-Cobalt	Rc 22 Max (NACE)	15/16"	Inconel X-750	K-Monel®
11267	1/2" NPT	316 SS	~	Annealed (NACE)	15/16"	Inconel X-750	K-Monel®
11326	1/8" NPT	4140	Zinc-Cobalt	Rc 22 Max (NACE)	3/4"	Inconel X-750	K-Monel®



* TC = Tungsten Carbide • Other materials, options, sizes, and plating available





Injection Fittings

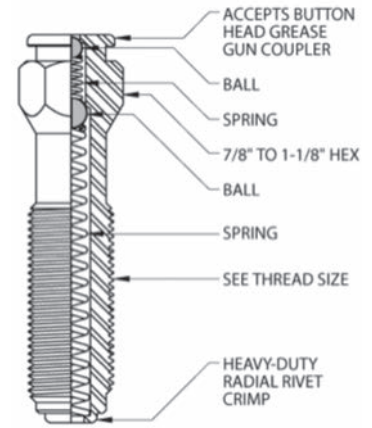
• Lube Stick

Rated to 10,000 psi

Double Ball Check

Specifications

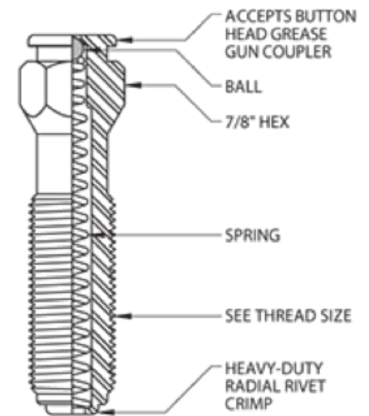
Model	Thread Size	Material	Plating	Heat Treatment	Ball	Spring	O.A.L.
10450	1/4" NPSM	1215	Zinc-Cobalt	~	CA*	302 SS	2 -7/16"
10451	1/4" NSPM	316 SS	~	Annealed (NACE)	K-Monel®	Inconel X-750	2 -7/16"
10452	3/8" NPSM	1215	Zinc-Cobalt	~	CA*	302 SS	3 -3/8"
10453	3/8" NSPM	316 SS	~	Annealed (NACE)	K-Monel®	Inconel X-750	3 -3/8"
10454	1/2" NPSM	1215	Zinc-Cobalt	~	CA*	302 SS	3 -11/16"
10455	1/2" NSPM	316 SS	~	Annealed (NACE)	K-Monel®	Inconel X-750	3 -11/16"
10456	3/4" NPSM	1215	Zinc-Cobalt	~	CA*	302 SS	4 -5/8"
10457	3/4" NSPM	316 SS	~	Annealed (NACE)	K-Monel®	Inconel X-750	4 -5/8"
10433	5/8" - 11 UNC	1215	Zinc-Cobalt	~	CA*	302 SS	2 -7/8"
10434	3/4" - 10 UNC	1215	Zinc-Cobalt	~	CA*	302 SS	3 -1/16"
10447	7/8" - 9 UNC	1215	Zinc-Cobalt	~	CA*	302 SS	3 -1/8"



Single Ball Check

Specifications

Model	Thread Size	Material	Plating	Heat Treatment	Ball	Spring	O.A.L.
10378	1/4" NPSM	1215	Zinc-Cobalt	~	CA*	302 SS	2 -3/8"
10379	1/4" NSPM	316 SS	~	Annealed (NACE)	K-Monel®	Inconel X-750	2 -3/8"
10381	3/8" NPSM	1215	Zinc-Cobalt	~	CA*	302 SS	3 -1/32"
10382	3/8" NSPM	316 SS	~	Annealed (NACE)	K-Monel®	Inconel X-750	3 -1/32"
10383	1/2" NPSM	1215	Zinc-Cobalt	~	CA*	302 SS	3 -5/8"
10384	1/2" NSPM	316 SS	~	Annealed (NACE)	K-Monel®	Inconel X-750	3 -5/8"
10386	3/4" NPSM	1215	Zinc-Cobalt	~	CA*	302 SS	4 -3/4"
10387	3/4" NSPM	316 SS	~	Annealed (NACE)	K-Monel®	Inconel X-750	4 -3/4"
10388	3/8" - 16 UNC	1215	Zinc-Cobalt	~	CA*	302 SS	1 -1/2"
10389	1/2" - 13 UNC	1215	Zinc-Cobalt	~	CA*	302 SS	2 -1/8"
10391	3/4" - 10 UNC	1215	Zinc-Cobalt	~	CA*	302 SS	3 -9/32"
10392	1" - 10 UNC	1215	Zinc-Cobalt	~	CA*	302 SS	4 -5/8"



* CA = AISI 52100 Chrome Alloy • Other materials, options, sizes, and plating available





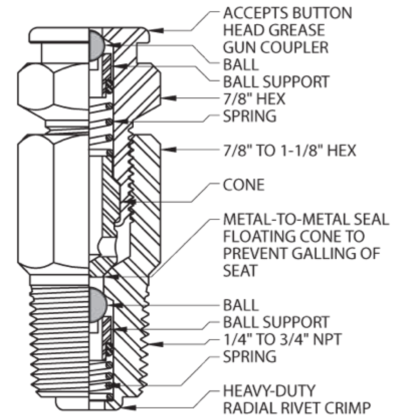
Lock Seal Fittings

Rated to 10,000 psi

Double Ball Check - 2 Pieces

Specifications

Model	Thread Size	Material	Plating	Heat Treatment	Ball	Spring
10460	1/4" NPT	1215	Zinc-Cobalt	~	CA*	302 SS
10306	1/4" NPT	4140	Zinc-Cobalt	Rc22 Max (NACE)	K-Monel®	Inconel X-750
10461	1/4" NPT	316 SS	~	Annealed (NACE)	K-Monel®	Inconel X-750
10462	3/8" NPT	1215	Zinc-Cobalt	~	CA*	302 SS
10307	3/8" NPT	4140	Zinc-Cobalt	Rc22 Max (NACE)	K-Monel®	Inconel X-750
10463	3/8" NPT	316 SS	~	Annealed (NACE)	K-Monel®	Inconel X-750
10464	1/2" NPT	1215	Zinc-Cobalt	~	CA*	302 SS
10308	1/2" NPT	4140	Zinc-Cobalt	Rc22 Max (NACE)	K-Monel®	Inconel X-750
10465	1/2" NPT	316 SS	~	Annealed (NACE)	K-Monel®	Inconel X-750
10466	3/4" NPT	1215	Zinc-Cobalt	~	CA*	302 SS
10467	3/4" NPT	316 SS	~	Annealed (NACE)	K-Monel®	Inconel X-750



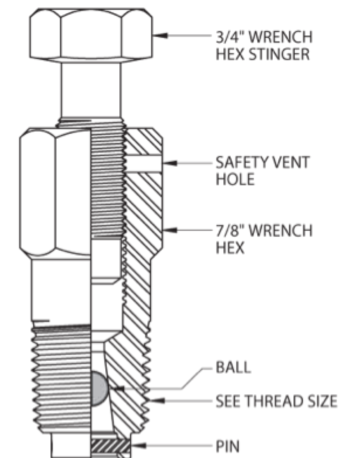
Packing Injection Fittings

Rated to 10,000 psi

Floating Ball-Taper Cavity

Specifications

Model	Thread Size	Material	Plating	Heat Treatment	Ball
10470	1/4" NPT	1215	Zinc-Cobalt	~	CA*
10368	1/4" NPT	4140	Zinc-Cobalt	Rc22 Max (NACE)	K-Monel®
10471	1/4" NPT	316 SS	~	Annealed (NACE)	K-Monel®
10472	3/8" NPT	1215	Zinc-Cobalt	~	CA*
10474	3/8" NPT	316 SS	~	Annealed (NACE)	K-Monel®
10475	3/8" NPT	4140	Zinc-Cobalt	Rc22 Max (NACE)	K-Monel®
10476	1/2" NPT	1215	Zinc-Cobalt	~	CA*
10479	1/2" NPT	4140	Zinc-Cobalt	Rc22 Max (NACE)	K-Monel®
10478	1/2" NPT	316 SS	~	Annealed (NACE)	K-Monel®
10369	5/8" - 11 UNC	1215	Zinc-Cobalt	~	CA*
10371	3/4" - 10 UNC	1215	Zinc-Cobalt	~	CA*
11633	3/4" NPT	1215	Zinc-Cobalt	~	CA*



* CA = AISI 52100 Chrome Alloy • Other materials, options, sizes, and plating available



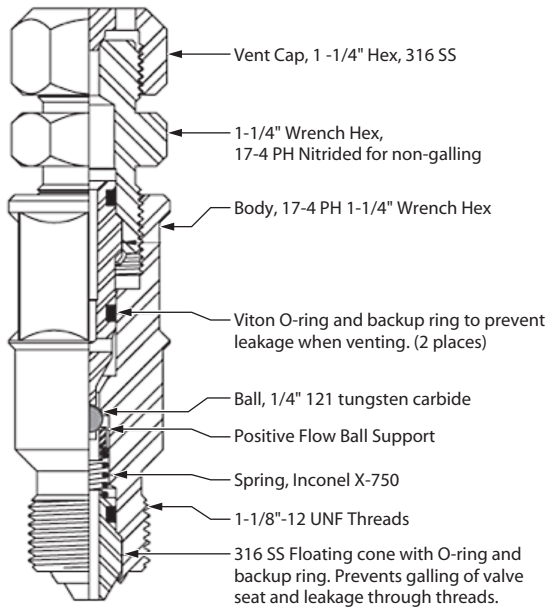


Lubrication / Sealant Fittings

High Pressure

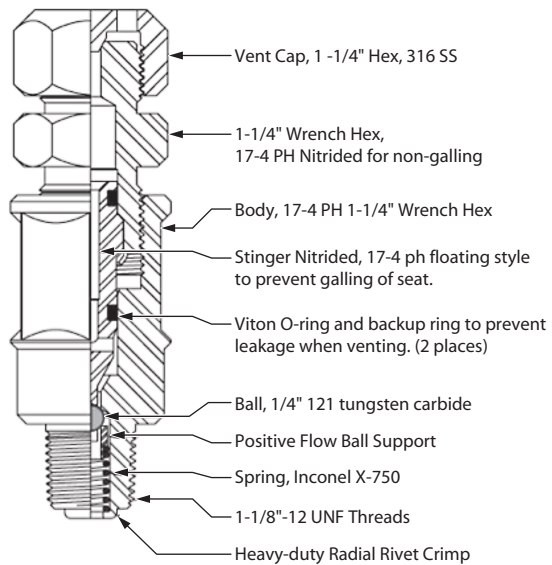
10495 Blowdown Fitting

9/16" Autoclave Style • Rated to 20,000 PSI



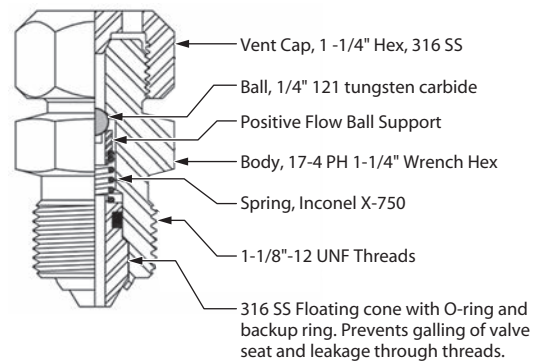
10496 Blowdown Fitting

1/2" NPT - Rated to 10,000 PSI



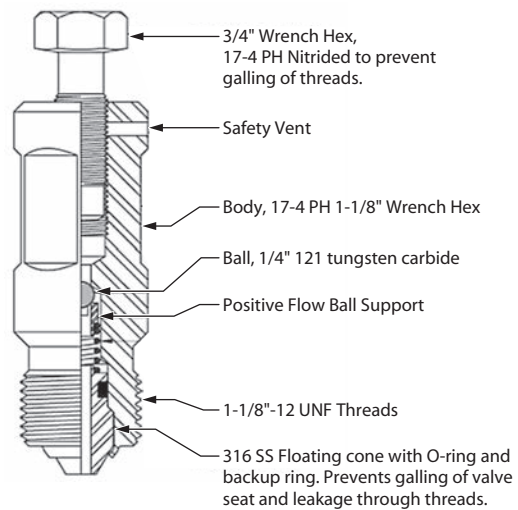
10497 Lubrication Fitting

9/16" Autoclave Style • Rated to 20,000 PSI



10498 Packing Injection Fitting

9/16" Autoclave Style • Rated to 20,000 PSI



■ Other materials, options, sizes, and plating available



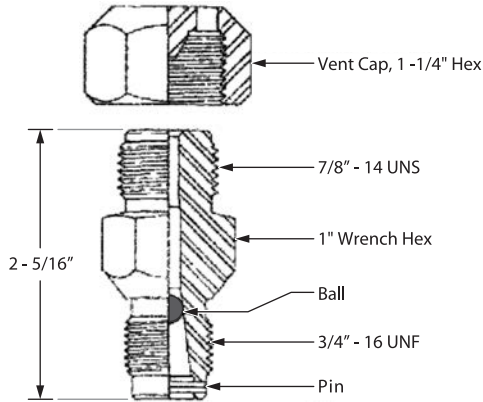


Vent Cap Fittings

• Compound

Rated to 10,000 psi

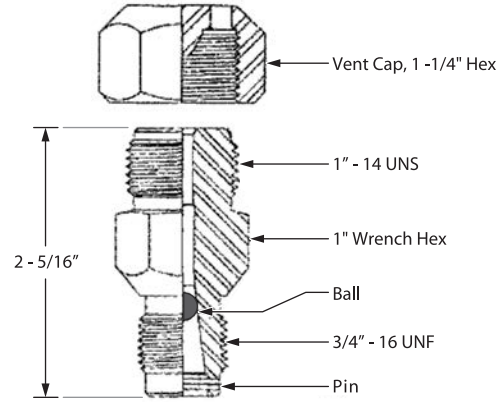
3/4" - 16 UNF Engagement Thread • 7/8" - 14 UNS Cap Thread



Specifications

Model	Material	Plating	Heat Treatment	Ball
10291	1215	Zinc-Cobalt	~	CA*
10292	4140	Zinc-Cobalt	Rc 22 Max (NACE)	K-Monel®
10293	316 SS	~	Annealed (NACE)	K-Monel®

3/4" - 16 UNF Engagement Thread • 1" - 14 UNS Cap Thread

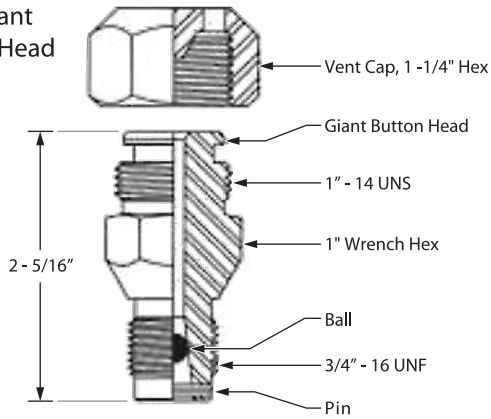


Specifications

Model	Material	Plating	Heat Treatment	Ball
10294	1215	Zinc-Cobalt	~	CA*
10296	4140	Zinc-Cobalt	Rc 22 Max (NACE)	K-Monel®
10297	316 SS	~	Annealed (NACE)	K-Monel®

3/4" - 16 UNF Engagement Thread • 1" - 14 UNS Cap Thread

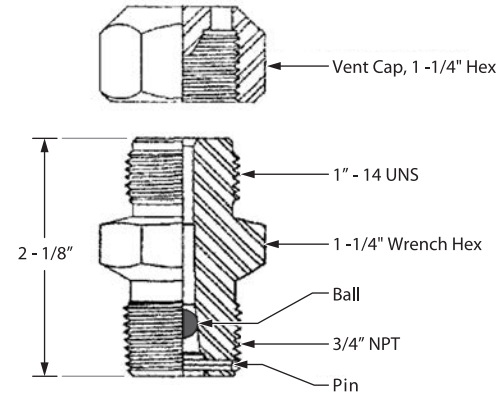
With Giant Button Head



Specifications

Model	Material	Plating	Heat Treatment	Ball
10298	1215	Zinc-Cobalt	~	CA*
10299	4140	Zinc-Cobalt	Rc 22 Max (NACE)	K-Monel®
10301	316 SS	~	Annealed (NACE)	K-Monel®

3/4" NPT Engagement Thread • 1" - 14 UNS Cap Thread



Specifications

Model	Material	Plating	Heat Treatment	Ball
10302	1215	Zinc-Cobalt	~	CA*
10303	4140	Zinc-Cobalt	Rc 22 Max (NACE)	K-Monel®
10304	316 SS	~	Annealed (NACE)	K-Monel®

* CA = AISI 52100 Chrome Alloy • Other materials, options, sizes, and plating available





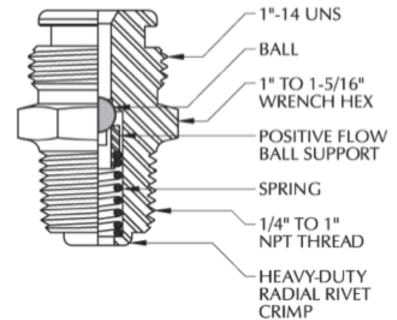
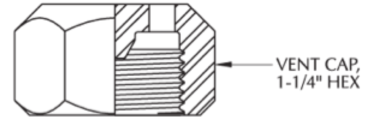
Vent Cap Fittings

Rated to 10,000 psi

With Giant Button Head

Specifications

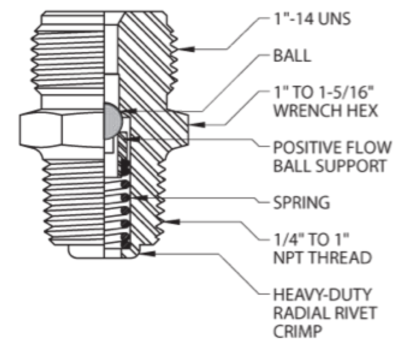
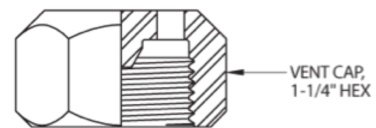
Model	Thread Size	Material	Plating	Heat Treatment	Ball	Spring
10435	1/4" NPT	1215	Zinc-Cobalt	~	CA*	302 SS
10438	1/4" NPT	4140	Zinc-Cobalt	Rc 22 Max (NACE)	K-Monel®	Inconel X-750
10437	1/4" NPT	316 SS	~	Annealed (NACE)	K-Monel®	Inconel X-750
10439	3/8" NPT	1215	Zinc-Cobalt	~	CA*	302 SS
10442	3/8" NPT	4140	Zinc-Cobalt	Rc 22 Max (NACE)	K-Monel®	Inconel X-750
10441	3/8" NPT	316 SS	~	Annealed (NACE)	K-Monel®	Inconel X-750
10443	1/2" NPT	1215	Zinc-Cobalt	~	CA*	302 SS
10446	1/2" NPT	4140	Zinc-Cobalt	Rc 22 Max (NACE)	K-Monel®	Inconel X-750
10445	1/2" NPT	316 SS	~	Annealed (NACE)	K-Monel®	Inconel X-750
10319	3/4" NPT	1215	Zinc-Cobalt	~	CA*	302 SS
10322	3/4" NPT	4140	Zinc-Cobalt	Rc 22 Max (NACE)	K-Monel®	Inconel X-750
10323	3/4" NPT	316 SS	~	Annealed (NACE)	K-Monel®	Inconel X-750
10324	1" NPT	1215	Zinc-Cobalt	~	CA*	302 SS
10327	1" NPT	4140	Zinc-Cobalt	Rc 22 Max (NACE)	K-Monel®	Inconel X-750
10328	1" NPT	316 SS	~	Annealed (NACE)	K-Monel®	Inconel X-750



With Out Giant Button Head

Specifications

Model	Thread Size	Material	Plating	Heat Treatment	Ball	Spring
10421	1/4" NPT	1215	Zinc-Cobalt	~	CA*	302 SS
10424	1/4" NPT	4140	Zinc-Cobalt	Rc 22 Max (NACE)	K-Monel®	Inconel X-750
10423	1/4" NPT	316 SS	~	Annealed (NACE)	K-Monel®	Inconel X-750
10425	3/8" NPT	1215	Zinc-Cobalt	~	CA*	302 SS
10428	3/8" NPT	4140	Zinc-Cobalt	Rc 22 Max (NACE)	K-Monel®	Inconel X-750
10427	3/8" NPT	316 SS	~	Annealed (NACE)	K-Monel®	Inconel X-750
10429	1/2" NPT	1215	Zinc-Cobalt	~	CA*	302 SS
10432	1/2" NPT	4140	Zinc-Cobalt	Rc 22 Max (NACE)	K-Monel®	Inconel X-750
10431	1/2" NPT	316 SS	~	Annealed (NACE)	K-Monel®	Inconel X-750
10309	3/4" NPT	1215	Zinc-Cobalt	~	CA*	302 SS
10312	3/4" NPT	4140	Zinc-Cobalt	Rc 22 Max (NACE)	K-Monel®	Inconel X-750
10313	3/4" NPT	316 SS	~	Annealed (NACE)	K-Monel®	Inconel X-750
10314	1" NPT	1215	Zinc-Cobalt	~	CA*	302 SS
10317	1" NPT	4140	Zinc-Cobalt	Rc 22 Max (NACE)	K-Monel®	Inconel X-750
10318	1" NPT	316 SS	~	Annealed (NACE)	K-Monel®	Inconel X-750



* CA = AISI 52100 Chrome Alloy • Other materials, options, sizes, and plating available

