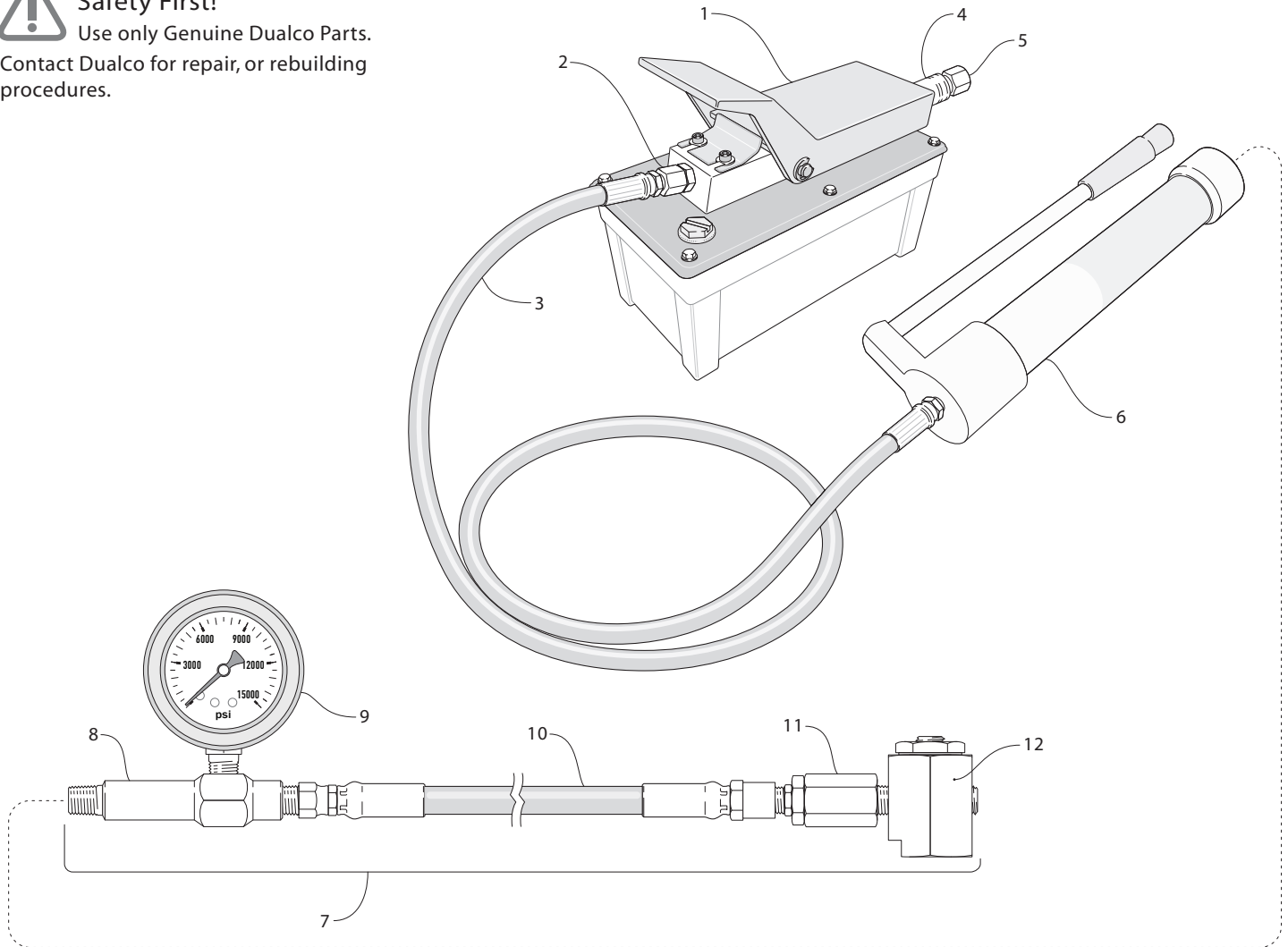




Safety First!

Use only Genuine Dualco Parts.
Contact Dualco for repair, or rebuilding
procedures.



General

Key	Description	Part No.
1	Pump, Air Hydraulic	11134M
2	Reducer	10344
3	Hydraulic FLuid Hose	11037
4	Quick Connect Coupler	11137
5	Quick Connect Plug	11138
6	Body / Grease Barrel Assembly	See Page 2 ▶

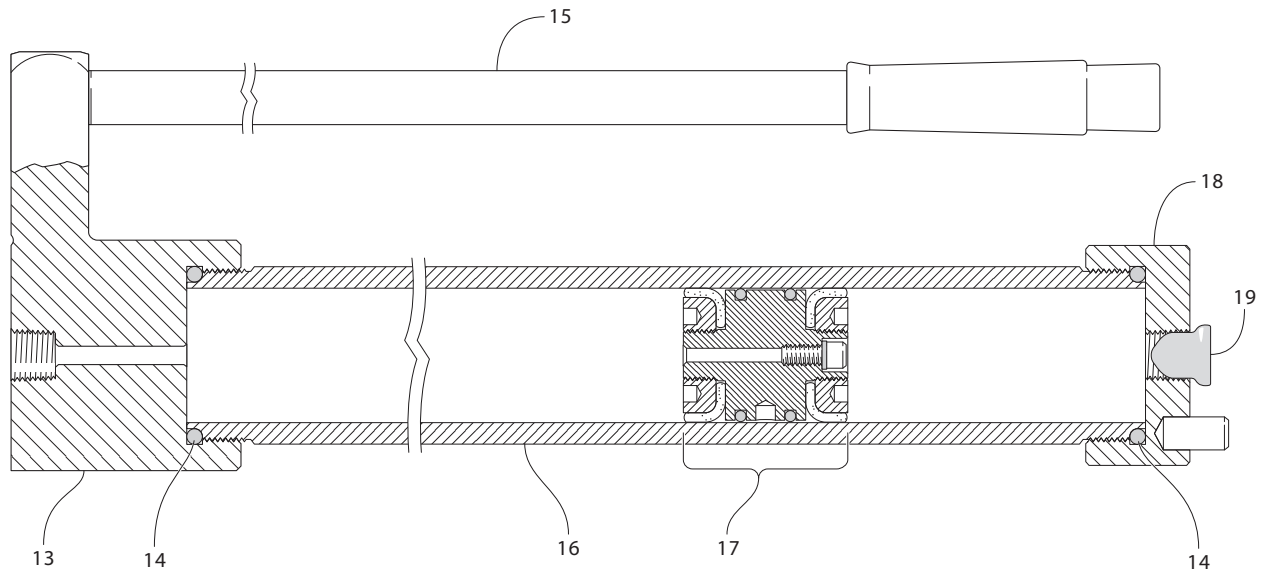
Hose Assembly

Key	Description	Part No.
7	Hose Assembly	10876
8	Gauge Tee	10844
9	Gauge w/ Cover	11475
10	Hose	10872
11	Swivel	10641
12	GBH Coupler	10850

Capacities:	One "J" size stick
	9-1/2 oz
	17 in ³
Grease Outlet (Cap-10813)	1/4" NPT(f)



Body / Grease Barrel Assembly



Body / Grease Barrel Assembly

Key	Description	Part No.
13	Body	11132
14	"O" Ring (2 Required)	10811
15	Handle / Piston Return Tool	10776
16	Grease Barrel 9.5 oz	10961
17	Piston Assembly	10810
18	Grease Barrel Cap	10813
19	Protective Plug (for Grease Barrel Cap)	10568

Caution!

Pressure ratings must not be exceeded!
All hoses, fittings, and connections must be checked, tightened, and securely fastened on a regular basis. Weak, worn or damaged hoses can rupture - causing human injury and property damage. Always use damage-free components and discard a hose after 3 years of use or before, if any signs of damage have occurred.

• Most DUALCO products are designed for industry use, not for home use.