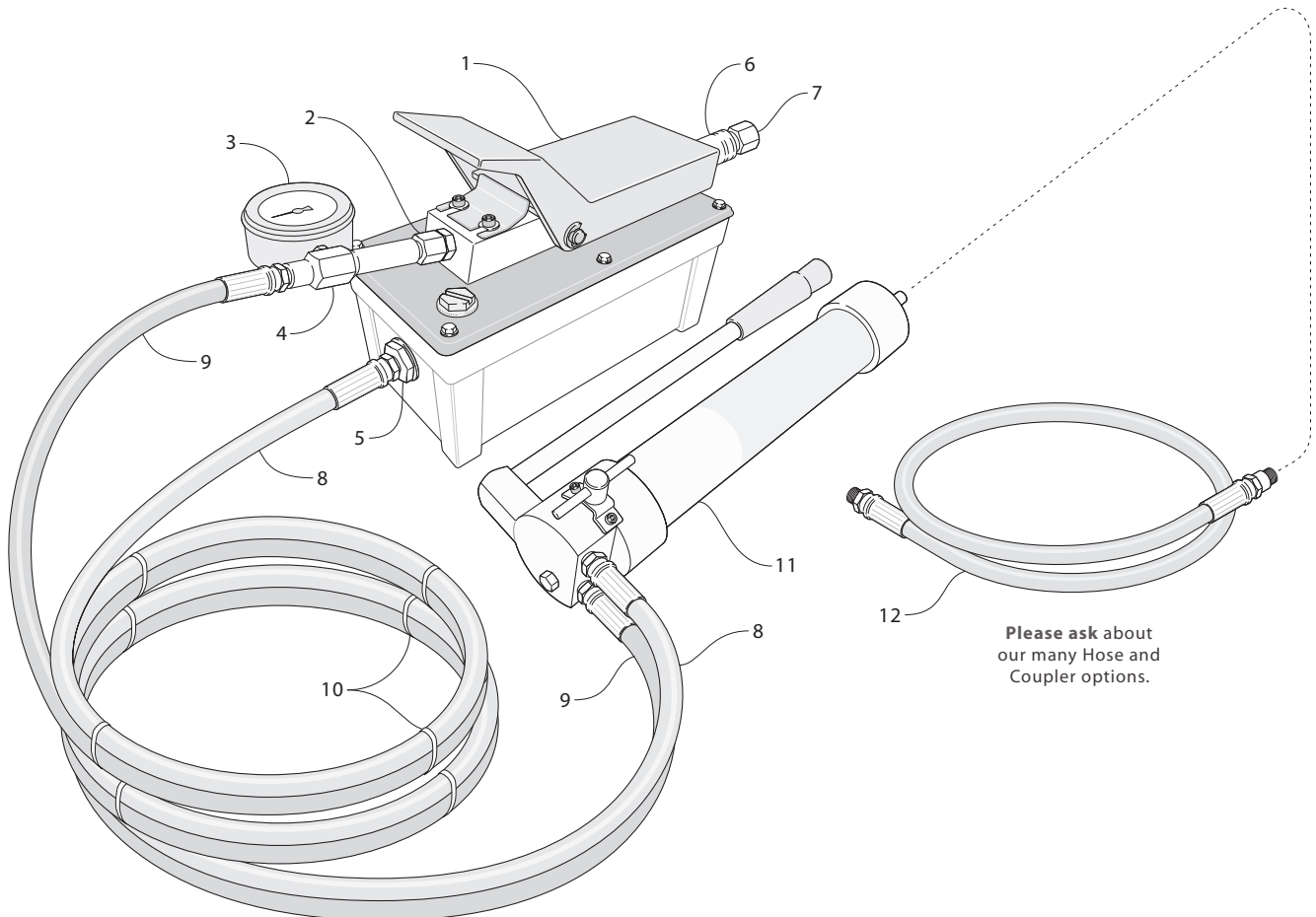




Safety First!

Use only Genuine Dualco Parts.
Contact Dualco for repair, or rebuilding procedures.



Please ask about our many Hose and Coupler options.

General

Key	Description	Part No.
1	Pump	11134M
2	Reducer	10344
3	Gauge w/ Cover	11475
4	Gauge Tee	10844
5	Bulkhead Fitting	11471
6	Quick Connect Coupler	11137

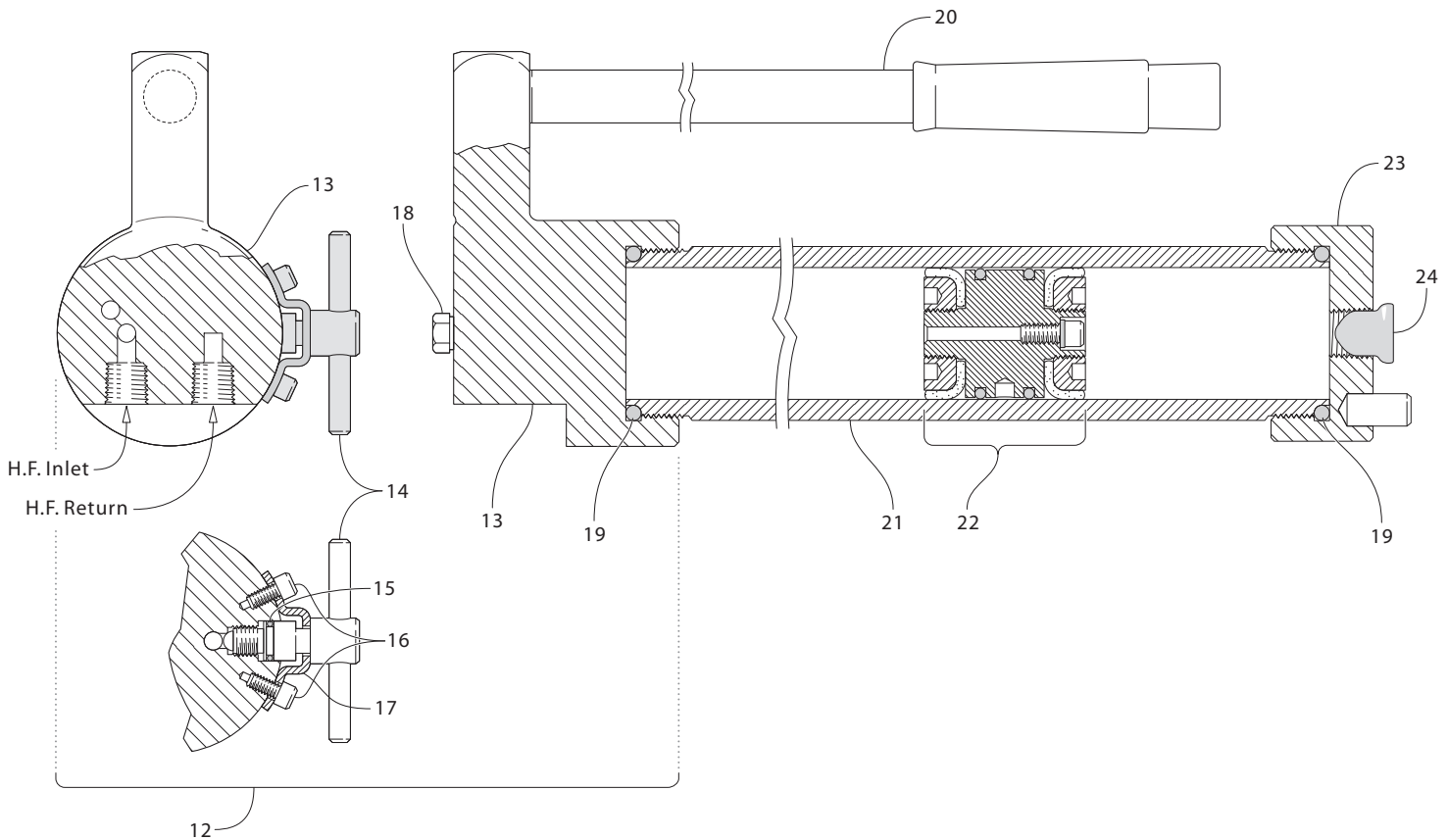
General (continued)

Key	Description	Part No.
7	Quick Connect Plug	11138
8	Hydraulic FLuid Return Hose	1233663
9	Hydraulic Fluid Pump (Supply) Hose	11181
10	Cable Tie (8 Required)	11793
11	Body & Grease Barrel Assemblies	See Page 2 ▶
12	Grease Hose	2439106

Capacities:	One "J" size stick
	9-1/2 oz
	17 in ³



Body & Grease Barrel Assemblies



Body & Grease Barrel Assemblies

Key	Description	Part No.
12	Body Assembly	11426
13	Body • Air Gun with fluid return outlet	11394
14	By-Pass Valve	10795
15	“O” Ring	10048
16	Cap Screw (2 Required)	10798
17	Stem Retainer (Double Stop)	10808
18	Plug	10030
19	“O” Ring (2 Required)	10811

Body & Grease Barrel Assemblies (continued)

Key	Description	Part No.
20	Handle / Piston Return Tool	10776
21	Grease Barrel 9.5 oz	10961
22	Piston Assembly	10810
23	Grease Barrel Cap	10813
24	Protective Plug (for Grease Barrel Cap)	10568

⚠ Caution!

Pressure ratings must not be exceeded!
All hoses, fittings, and connections must be checked, tightened, and securely fastened on a regular basis. Weak, worn or damaged hoses can rupture - causing human injury and property damage. Always use damage-free components and discard a hose after 3 years of use or before, if any signs of damage have occurred.

• Most DUALCO products are designed for industry use, not for home use.