

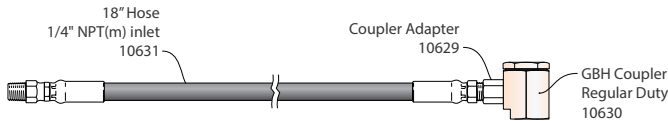


## Hose Assemblies

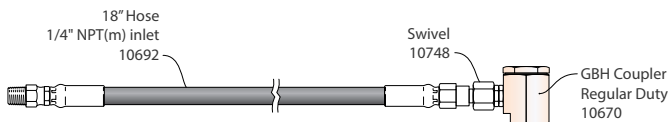
Many other hose lengths, end combinations and assemblies are available. Please call us for any custom requirements.

**⚠** Hose Assembly Ratings:  
Working Pressure: 10,000 psi.  
Burst Pressure: 20,000 psi.  
For Industrial Use Only.

**Warning:** These hoses are for use with hand operated grease guns only. Inquire regarding additional warnings. Consult "rubber manufacturers association hose handbook" for proper operating procedure.



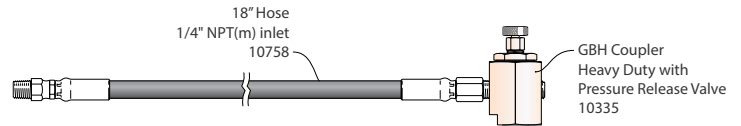
**10750** Popular for lubricating plug valves, The 10750 is relatively easy to use and requires minimal maintenance.



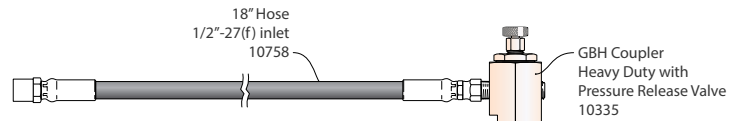
**10756** A "live" swivel allows the GPH coupler to rotate freely while the hose is pressurized. This hose assembly is popular for lubricating plug valves.



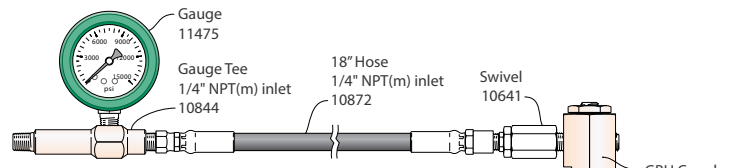
**10775** Screw Connection Hose Assembly for lubricating vent cap fittings. 18" overall length hose with screw connection coupler.



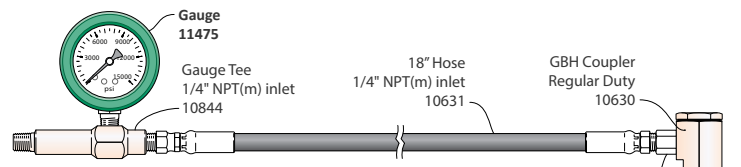
**11013** The Thumb Screw Pressure Release on the GBH coupler makes it easier to disengage from the lubricant fitting if there is residual pressure. This assembly is standard with the 10635 Screw Prime Grease Gun Assembly.



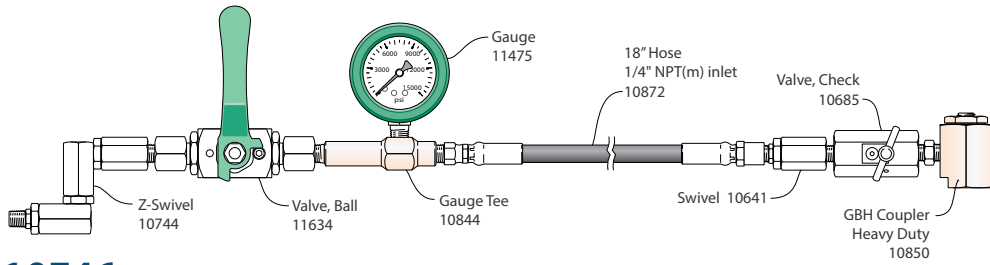
**11313** Similar to the 11013, This hose assembly has a 1/2"-27 (female) inlet fitting.



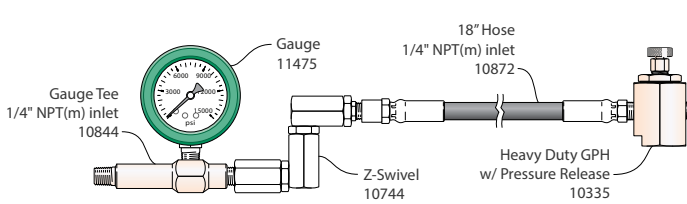
**10876** A pressure gauge allows for more lubricating efficiency and accuracy. A "live" swivel allows the GPH coupler to rotate freely while the hose is pressurized.



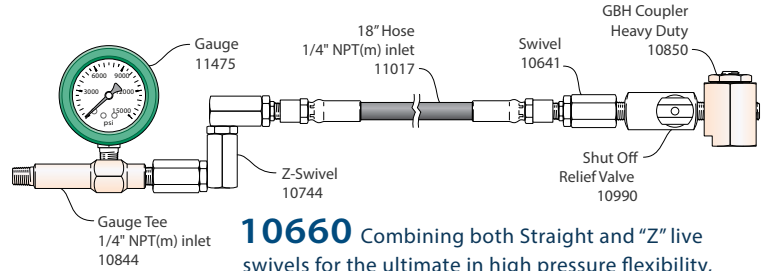
**10650** In-Line Pressure gauges allow for more lubricating efficiency and accuracy.



**10746** Combining both Straight and “Z” live swivels for the ultimate in high pressure flexibility, this ultimate hose assembly includes a shut-off relief valve and a control valve.

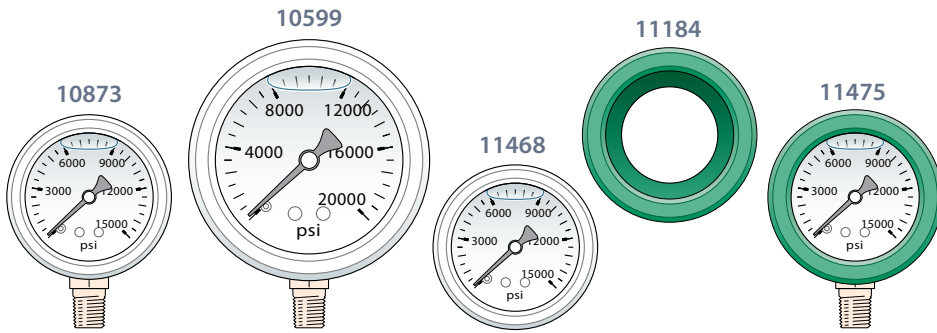


**10861** A Perfect Combination of options for maximum functionality. The Z-Swivel gives truly universal hose flexibility. The heavy-duty GBH coupler with pressure release valve make pumping and disengagement from the lubricant fitting easier.



**10660** Combining both Straight and “Z” live swivels for the ultimate in high pressure flexibility, this popular hose assembly includes a shut-off relief valve and in-line gauge.

## Gauges



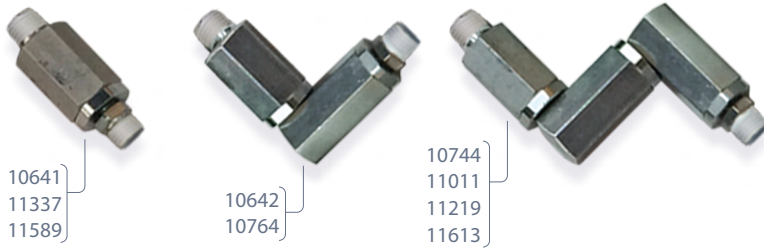
### Gauges Stainless Steel Construction

Model	Description	Connection
10873	15,000 psi Gauge, Bottom Connector (2.5" Face, Liquid Filled)	1/4" NPT(m)
10599	20,000 psi Gauge, Bottom Connector (4.0" Face, Liquid Filled)	1/4" NPT(m)
11184	Gauge Cover • 2.5"	
11475	15,000 psi Gauge with Cover (10873 + 11184) (2.5" Face, Liquid Filled)	1/4" NPT(m)
11468	15,000 psi Gauge, Back Connector (2.5" Face, Liquid Filled)	1/4" NPT(m)

Many other gauges, gauge-tees, valves and assemblies are available. Please call us for any custom requirements.

## Live Swivels

■ Pressurized Hoses Will Not Twist!



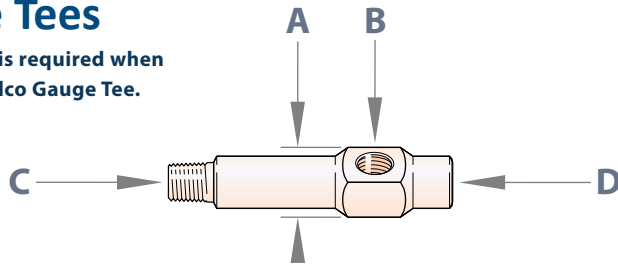
### Live Swivels

Model	Description	Connection	Weight
10641	Basic Connectivity	1/4" NPT(m) x 1/2"-27 NS taper (m)	0.3 lbs
11337	Basic Connectivity	1/4" NPT(m) x 1/4" NPT(m)	0.6 lbs
11589	Basic Connectivity	1/2" NPT(m) x 1/2" NPT(m)	0.8 lbs
10642	90° • Flexible	1/4" NPT(m) x 1/2"-27 NS taper (m)	0.6 lbs
10764	90° • Flexible	1/4" NPT(m) x 1/4" NPT(f)	0.6 lbs
10744	"Z" True Universal Flexibility	1/4" NPT(m) x 1/2"-27 NS taper (m)	1.0 lbs
11011	"Z" True Universal Flexibility	1/4" NPT(m) x 1/4" NPT(m)	1.0 lbs
11219	"Z" True Universal Flexibility	3/8" NPT(m) x 1/2" NPT(m)	1.5 lbs
11613	"Z" True Universal Flexibility	1/2" NPT(m) x 1/2" NPT(m) (Includes Bushing)	1.8 lbs

**Live Swivels allow pressurized hoses to effectively swivel providing ergonomic positioning of the gun or applicator increasing speed and safety.**

## Gauge Tees

No adapter is required when using a Dualco Gauge Tee.



**Gauge Tees** Machined, Rated to 10,000 psi

Model	Description	A	B	C	D
10637	1-1/4" Hex 4140	1-1/4"	1/4" NPT(f)	1/4" NPT(m)	1/4" NPT(f)
10844	1" Hex	1"	1/4" NPT(f)	1/4" NPT(m)	1/4" NPT(f)
10620	1-1/4" Hex w/ Check Valve	1-1/4"	1/4" NPT(f)	1/4" NPT(m)	1/4" NPT(f)

Special order and standard tees are available.

## Carry Straps

Lightweight and strong. This robust strap includes Shoulder Pad, Hooks, Rings and Link.

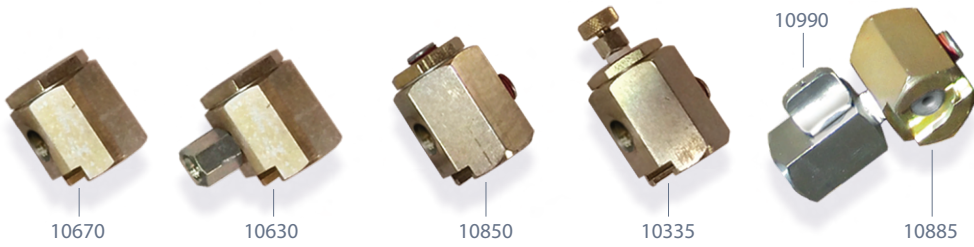
- Adjustable and extends to 46"
- Weight 3-3/4oz.



10616 For Screw Prime Grease Guns

10644 For Hydraulic Grease Guns

# GBH Couplers



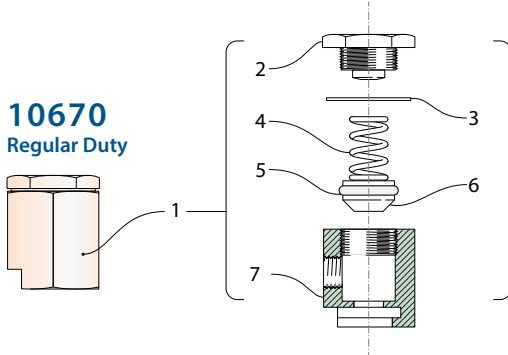
## Giant Button Head Couplers

Model	Description	Connection
10670	Regular Duty • For pull on service	1/4" NPT(f) inlet.
10630	Regular Duty w/ adapter • For pull on service	7/16" 27 NS(f) inlet.
10850	Heavy Duty • Nylon Piston • For pull, push or hook on service	1/4" NPT(f) inlet.
10335	Heavy Duty w/ Pressure Release • For pull, push or hook on service	1/4" NPT(f) inlet.
10885	Heavy Duty w/ Internal Auto Shut-off • Steel Piston	1/4" NPT(f) inlet.
10990	Manual Shut-off Relief Valve	1/4" NPT(f) inlet.

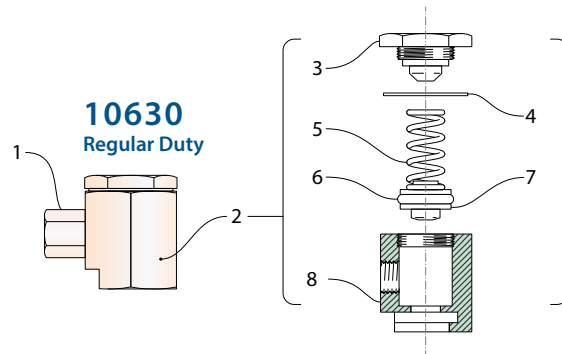
We have a complete selection of connectors, adapters, tools, hose assemblies and optional equipment. Please contact us with any questions or special requests.

**⚠ Safety First!**  
Use only Genuine Dualco Parts. Contact Dualco for repair, or rebuilding procedures.

## GBH Couplers Internal Parts



Key	Description	Part No.
1	GBH Coupler	10670
2	Cap	10623
3	Gasket	10624
4	Spring	10625
5	"O" Ring	10626
6	Piston • Nylon	10627
7	Coupler Body	10628

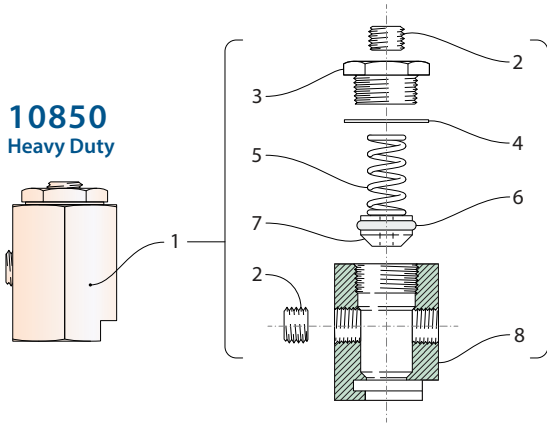


Key	Description	Part No.
1	Coupler Adapter 7/16" 27 NS(f) inlet.	10629
2	Coupler G.B.H.	10630
3	Coupler Cap	10623
4	Coupler Gasket	10624
5	Coupler Spring	10625
6	Coupler "O"-Ring	10626
7	Coupler Piston (Nylon)	10627
8	Coupler Body	10628

# GBH Couplers

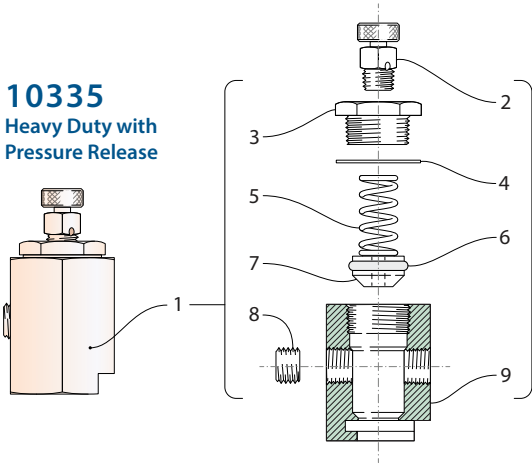
## Internal Parts (cont.)

### 10850 Heavy Duty



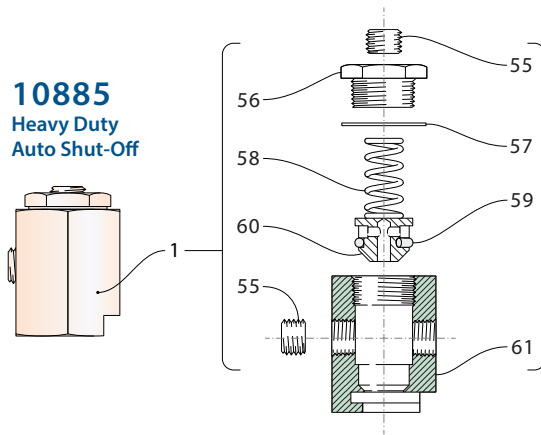
Key	Description	Part No.
1	GBH Coupler Heavy Duty (H.D.)	10850
2	Plug (2 Required)	10602
3	Cap	10848
4	Gasket	10624
5	Spring	10856
6	"O" Ring	10626
7	Piston • Nylon	10627
8	Coupler Body	10847

### 10335 Heavy Duty with Pressure Release



Key	Description	Part No.
1	GBH Coupler H.D. w/ Pressure Release	10335
2	Relief Valve	11180
3	Cap	10336
4	Gasket	10624
5	Spring	10856
6	"O" Ring	10626
7	Piston • Nylon	10627
8	Plug	10602
9	Body	10847

### 10885 Heavy Duty Auto Shut-Off



Key	Description	Part No.
54	GBH Coupler H.D. w/ Auto Shut-off	10885
55	Plug (2 Required)	10602
56	Cap	10848
57	Gasket	10624
58	Spring	10856
59	"O" Ring	10039
60	Piston • Steel, Shut-off	10863
61	Body	10868

Made in the USA



Producing Professional lubrication products since 1960. Products are made and assembled in the USA. 100% Repairable and Recyclable.

8404 Braniff  
Houston, Texas 77061  
713-644-1164 • FAX 713-644-7761  
dualco-inc.com

