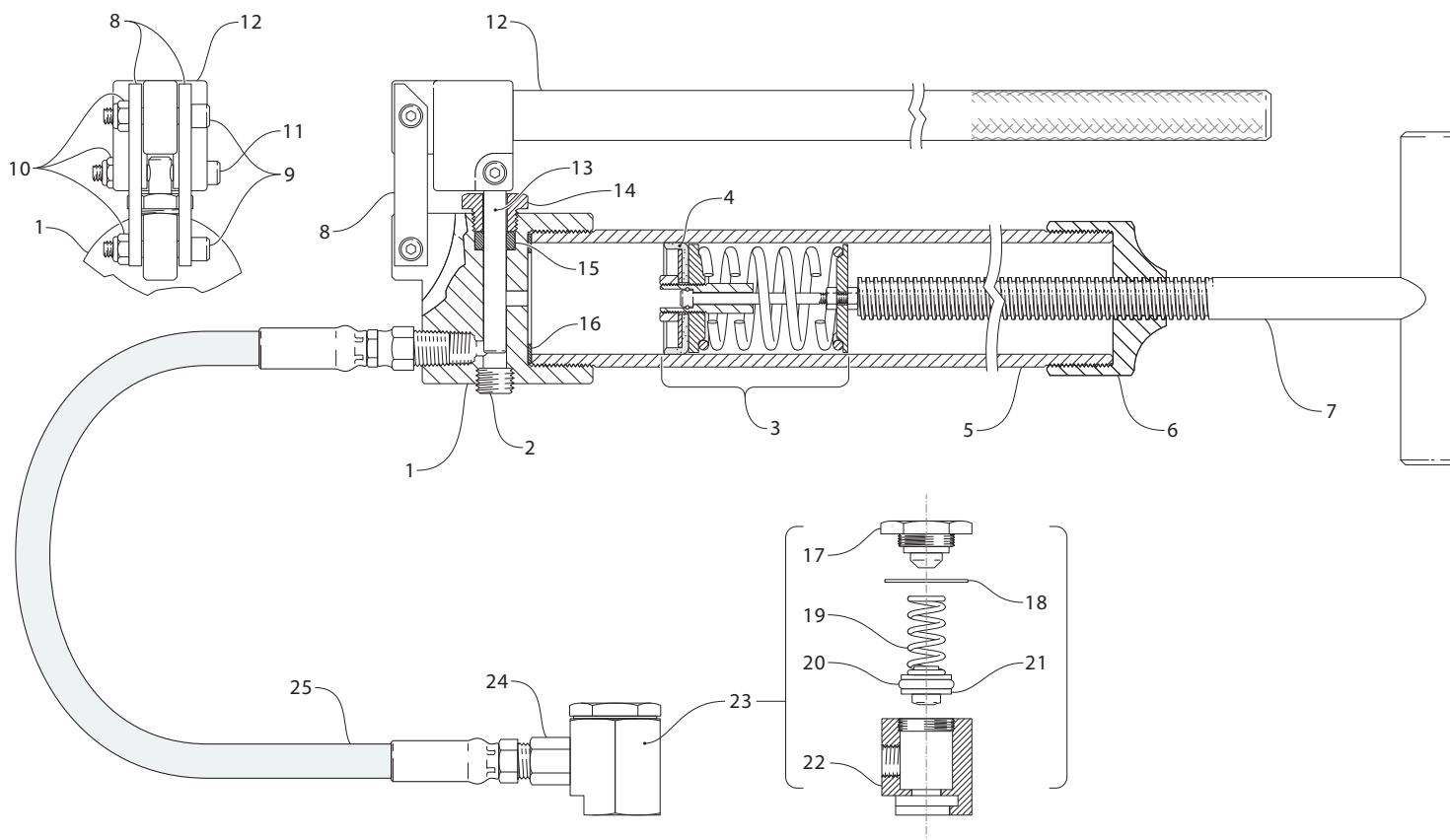


Parts List

Revision 4/16/24



Parts List 10600 / 10610

Key	Description	Part No.
1	Head	10601
2	Plug	10602
3	Primer Spring Assembly (Includes Primer Cup)	11810
4	Primer Cup	10894
5	Barrel	10609
6	Collar	10611
7	Screw Handle	10612
8	Link (2 Required)	10613
9	Stripper Bolt (2 Required)	10614
10	Lock Nut (3 Required)	10778
11	Stripper Bolt	10779

Parts List 10600 / 10610 (continued)

Key	Description	Part No.
12	Plunger Handle	10617
13	Plunger	10618
14	Packing Nut	10619
15	Packing	10621
16	Head Gasket (Optional)	10622
17	Coupler Cap	10623
18	Coupler Gasket	10624
19	Coupler Spring	10625
20	Coupler "O"-Ring	10626
21	Coupler Piston (Nylon)	10627
22	Coupler Body	10628

Parts List 10600 / 10610 (continued)

Key	Description	Part No.
23	Coupler G.B.H.	10630
24	Coupler Adapter	10629
25	Hose 18"	10631

Features

- Hardened, one piece precision ground plunger
- High strength screw handle
- Premium primer die spring
- Adjustable plunger packing

Made in
the USA

Producing Professional lubrication products since 1960. Products are made and assembled in the USA. 100% Repairable and Recyclable.



© 2024 Dualco, Inc

8404 Braniff
Houston, Texas 77061
713-644-1164 • FAX 713-644-7761
www.dualco-inc.com