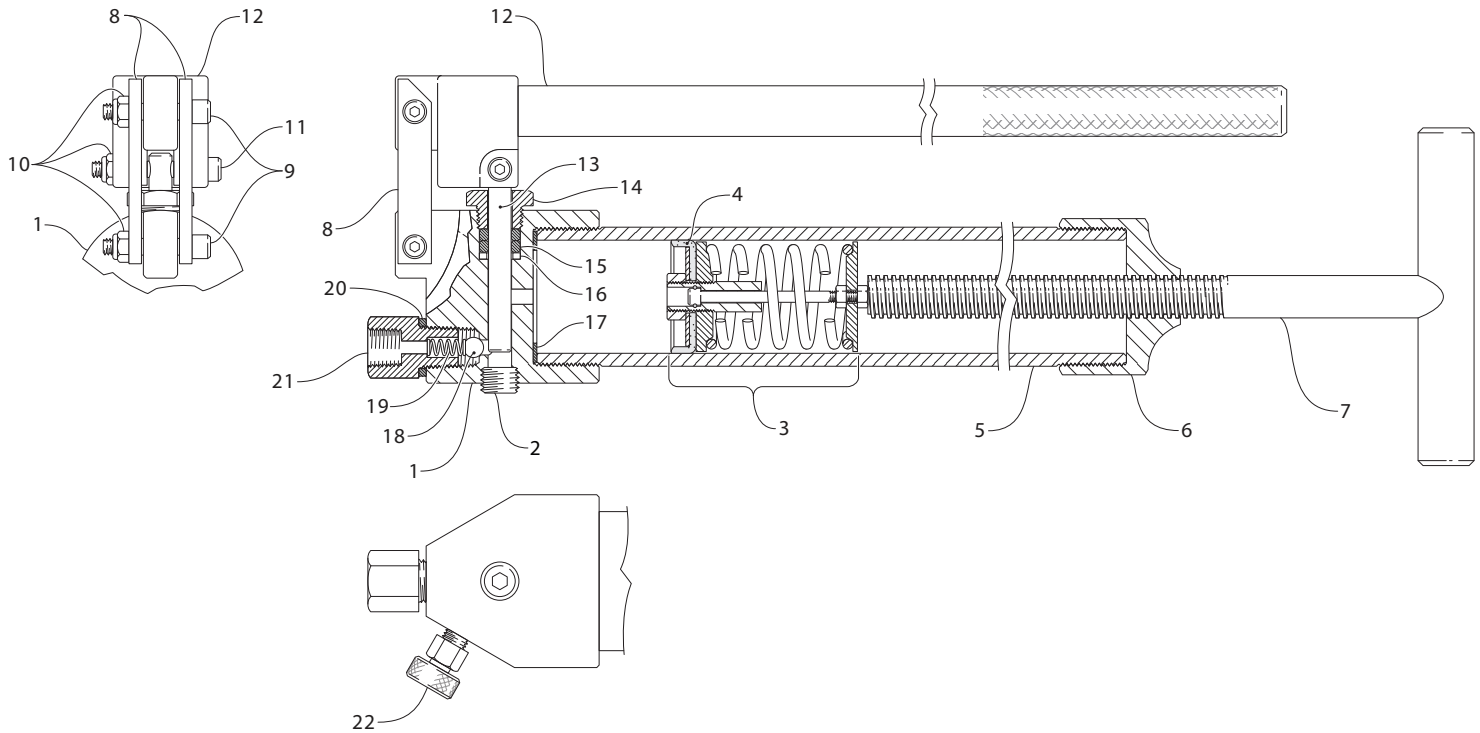


Parts List

Revision 5/30/24



Parts List 10680

Key	Description	Part No.
1	Head	10854
2	Plug	10602
3	Primer Spring Assembly (Includes Primer Cup)	11810
4	Primer Cup	10894
5	Barrel	10609
6	Collar	10611
7	Screw Handle	10612
8	Link (2 Required)	10613
9	Stripper Bolt (2 Required)	10614
10	Lock Nut (3 Required)	10778
11	Stripper Bolt	10779

Parts List 10680 (continued)

Key	Description	Part No.
12	Plunger Handle	10617
13	Plunger	10648
14	Packing Nut	10649
15	Packing (2 Required)	10651
16	Packing Adapter	10654
17	Head Gasket (Optional)	10622
18	Ball	10924
19	Spring	10683
20	Gasket	10632
21	Spring Retainer Adapter	10634
22	Pressure Relief Valve	11180

Features

- Hardened, one piece precision ground plunger
- High strength screw handle
- Premium primer die spring
- Adjustable plunger packing

Made in
the USA

Producing Professional lubrication products since 1960. Products are made and assembled in the USA. 100% Repairable and Recyclable.

