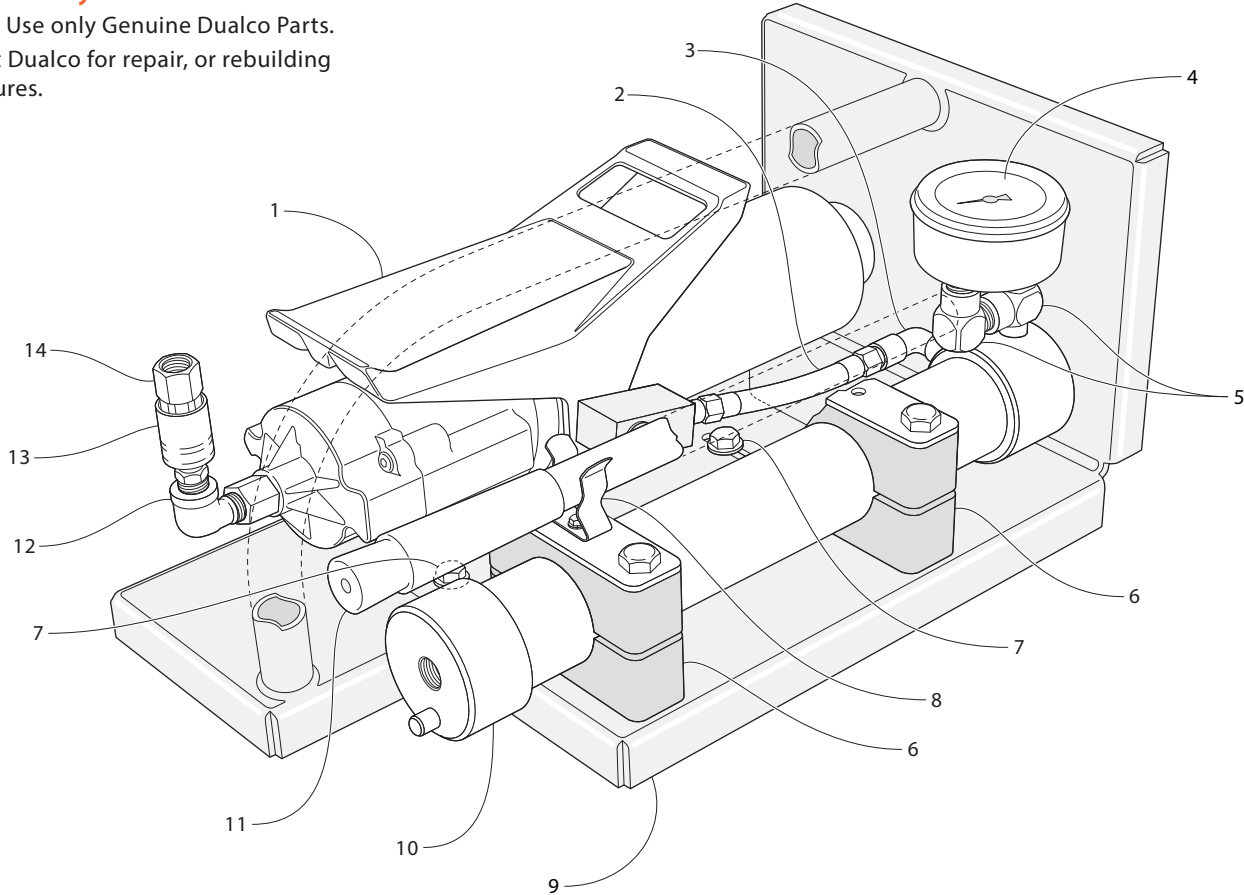




Safety First!

Use only Genuine Dualco Parts.
Contact Dualco for repair, or rebuilding procedures.



General

Key	Description	Part No.
1	Pump	12002
2	Hydraulic Hose	11318
3	Elbow	11246
4	Gauge, Cover	11835
5	Elbow (2 Required)	11491
6	Cradle Assembly • See Page 2 •	12020
7	Pump Fasteners Set includes: ★	12030
	★ Cap Screw (4 Required)	12013
	★ Washer (8 Required)	12016
	★ Nut (4 Required)	12014

General (continued)

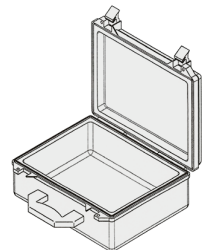
Key	Description	Part No.
8	Clip Assembly includes: ※	12040
	※ Handle Clip (2 Required)	11148
	※ Pan Head Screw (2 Required)	12038
	※ Lock Washer (2 Required)	12039
9	Frame	11146
10	Barrel Assembly • See Page 3 •	12015
11	Piston Return Tube / Cap Wrench	12035
12	Elbow	11149
13	Quick Connect Plug	11138
14	Quick Connect Coupler	11137

Notes:

See Page 3 for Barrel and Hose Assembly Schematics and parts lists.

Hose Assembly and Case are integral components of the Air/Hydraulic Injection Gun - Model 12000.

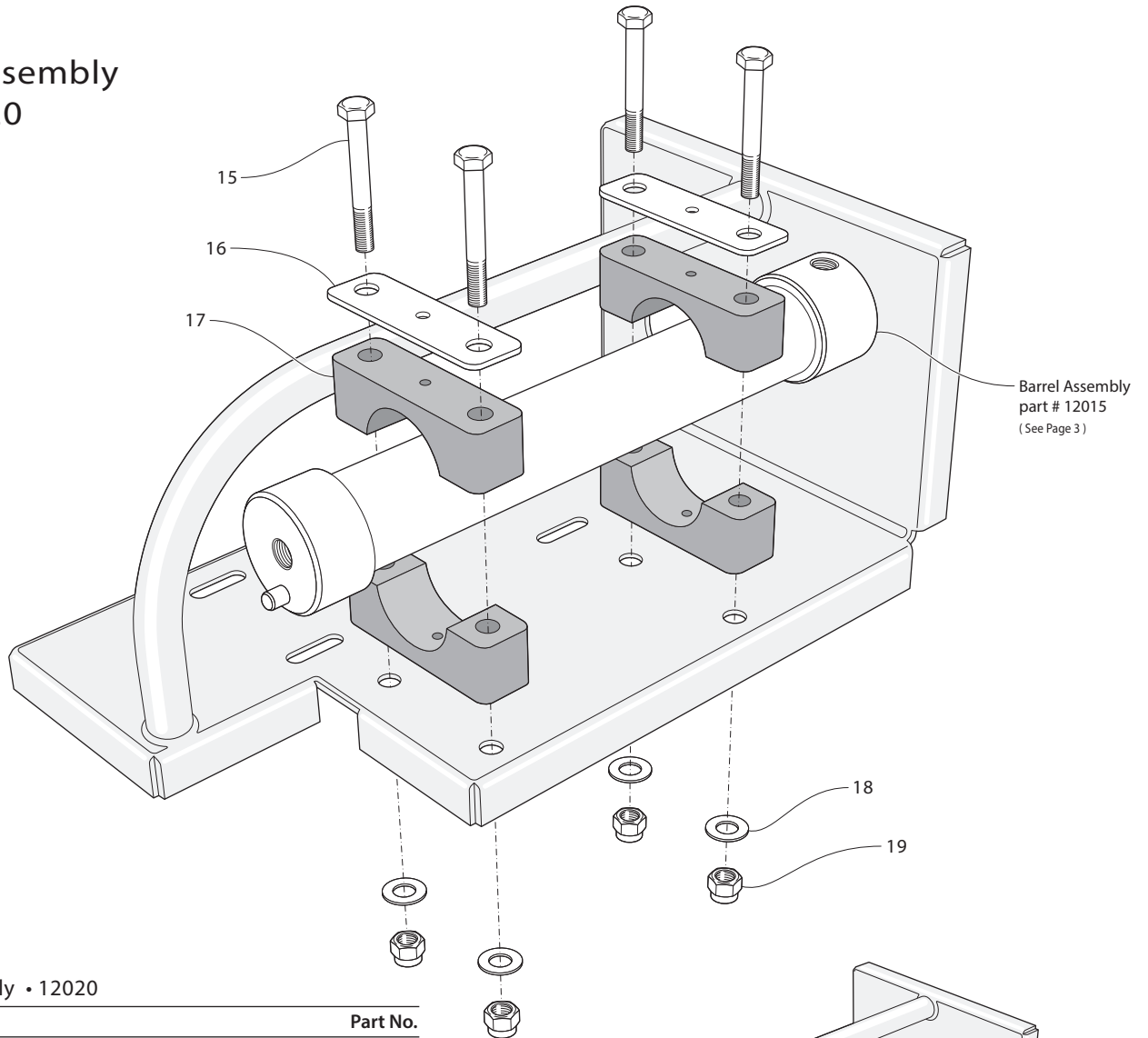
Carrying Case Part 11147



Producing Professional Lubrication products since 1960. Products are made and assembled in the USA. 100% Repairable and Recyclable.



**Cradle Assembly
Part 12020**

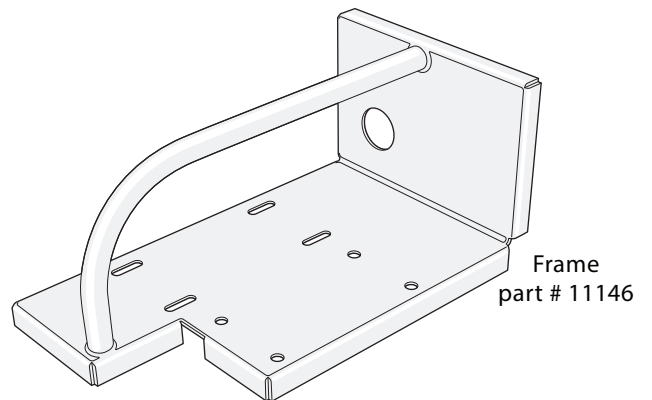


Cradle Assembly • 12020

Key	Description	Part No.
15	Hex Head Cap Screw 7/16-14 x 3.5" S.S. (4 Required)	12011
16	Cradle Top Plate (2 Required)	11344
17	Barrel Cradle (Top and Bottom Identical) (4 Required)	11343
18	Washer Flat-1.0"OD x 0.5"ID S.S. (4 Required)	11789
19	Nylock Nut 7/16-14 S.S. (4 Required)	12012

Notes:

Barrel Assembly (#12015) and Frame (#11146) are separate parts and not part of the Cradle Assembly. Part numbers 12015 and 11146 as shown on the Cradle Assembly schematic are for reference.

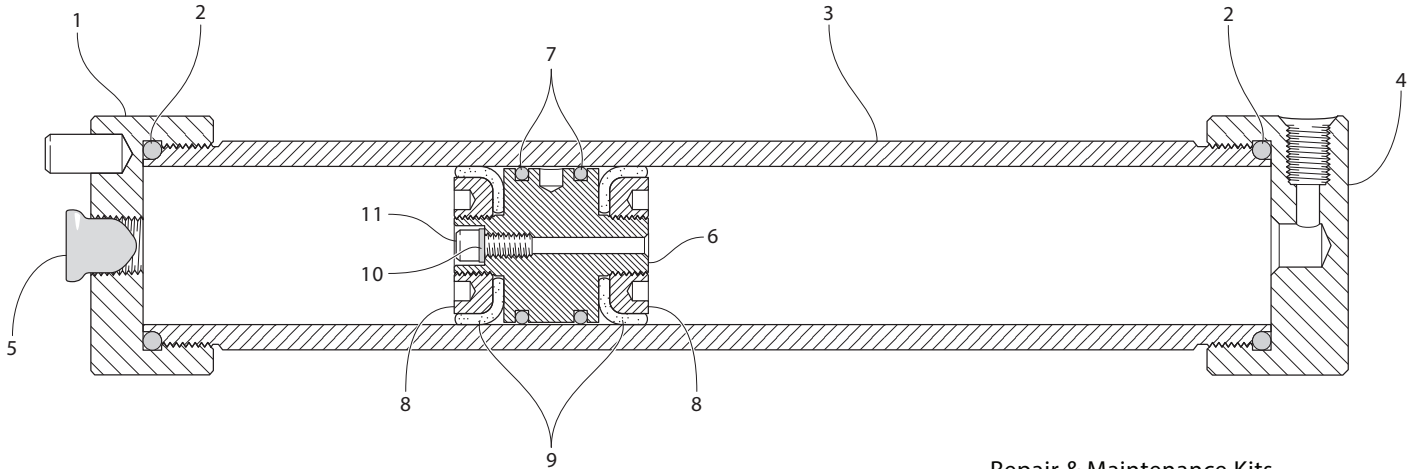


Producing Professional Lubrication products since 1960. Products are made and assembled in the USA. 100% Repairable and Recyclable.



8404 Braniff
Houston, Texas 77061
713-644-1164 • FAX 713-644-7761
www.dualco-inc.com

Barrel Assembly
Part 12015



General

Key	Description	Part No.
1	Grease Barrel Cap	10813
2	"O" Ring (2 Required)	10811
3	Grease Barrel	11284
4	Body	12001
5	Protective Plug (for Grease Barrel Cap)	10568

Piston Assembly 10810

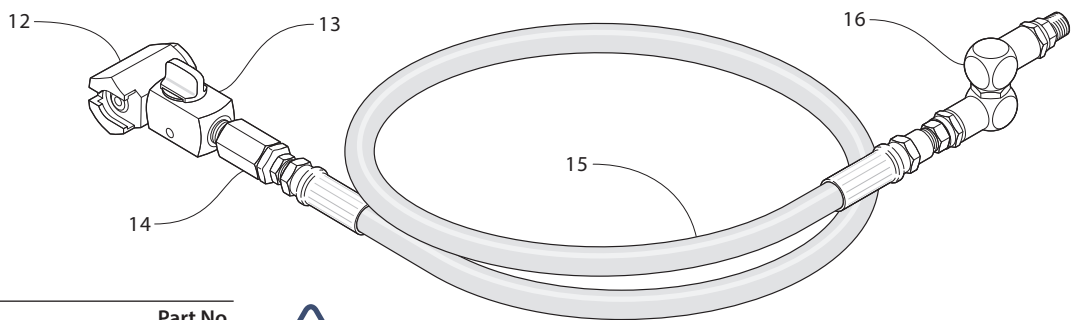
Key	Description	Part No.
6	Piston	10815
7	"O" Ring (Piston) (2 Required)	10818
8	Washer Nut (2 Required)	10819
9	Leather Cup (2 Required)	10821
10	Gasket	10817
11	Cap Screw	10816

Repair & Maintenance Kits

Description	Part No.
Repair Kit, Minor includes: ♦	12008
♦ Piston Assembly	10810
♦ Hydraulic Hose (Pump to Cylinder)	11318
Piston Seal Kit includes: ♦	11598

The Piston Assembly (part 10810) has an integral bleeder cap screw with a copper gasket. The bleeder assembly facilitates easy bleeding to assure there's no air entrapment.

Hose Assembly
Part 12021



Hose Assembly • 12021

Key	Description	Part No.
12	GBH Coupler	10850
13	Shut Off / Relief valve	10990
14	Straight Swivel	11337
15	Hose • 72" • 10,000 psi	7231776
16	"Z" Swivel (Compact)	10744L



Pressure ratings must not be exceeded. All hoses, fittings, and connections must be checked, tightened, and securely fastened on a regular basis. Weak, worn or damaged hoses can rupture - causing human injury and property damage. Always use damage-free components and discard a hose after 3 years of use or before, if any signs of damage have occurred.

Most DUALCO products are designed for industry use, not for home use.



Producing Professional Lubrication products since 1960. Products are made and assembled in the USA. 100% Repairable and Recyclable.

