

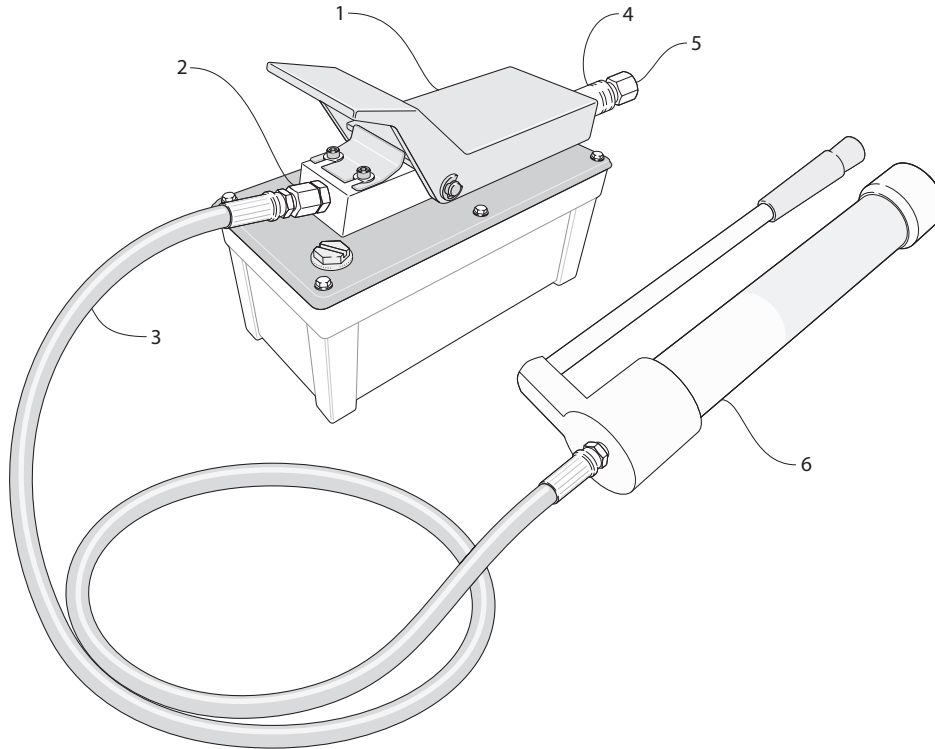
Parts Diagram



Safety First!

Use only Genuine Dualco Parts.

Contact Dualco for repair, or rebuilding procedures.



General

Key	Description	Part No.
1	Pump, Air Hydraulic	11134M
2	Reducer	10344
3	Hydraulic Fluid Hose	11037
4	Quick Connect Coupler	11137
5	Quick Connect Plug	11138
6	Body / Grease Barrel Assembly	See Page 2 ▶

Capacities:	One "J" size stick
	9-1/2 oz
	17 in ³
Grease Outlet (Cap-10813)	1/4" NPT(f)

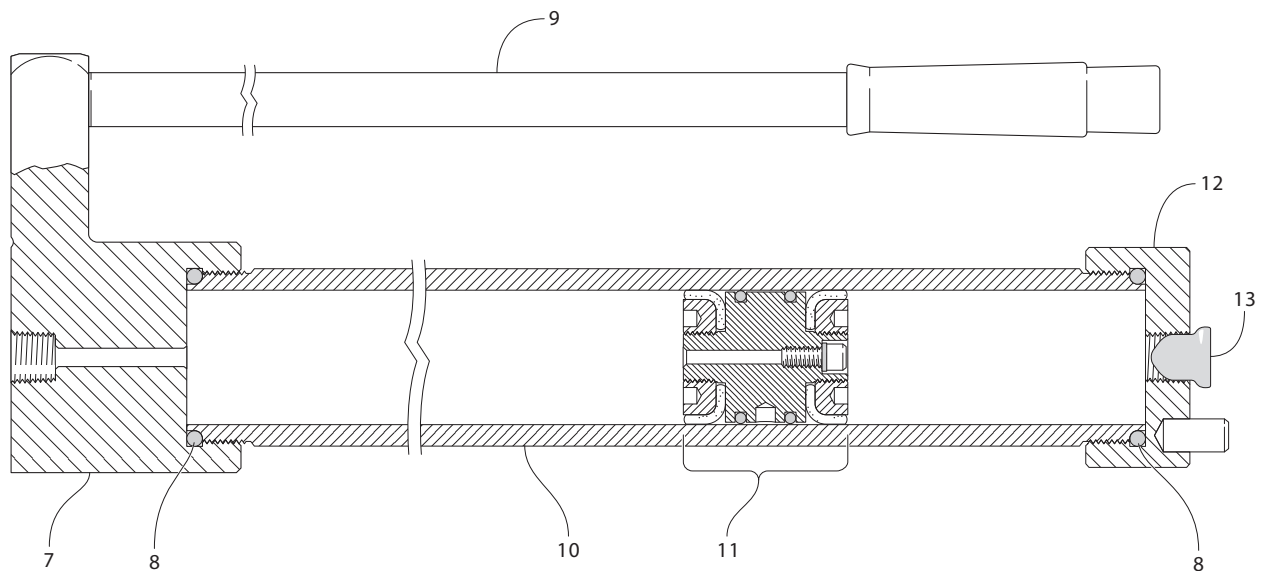


Producing Professional Lubrication products since 1960. Products are made and assembled in the USA. 100% Repairable and Recyclable.



Revision 7/16/24

Body / Grease Barrel Assembly



Body / Grease Barrel Assembly

Key	Description	Part No.
7	Body	11132
8	"O" Ring (2 Required)	10811
9	Handle / Piston Return Tool	10776
10	Grease Barrel 9.5 oz	10961
11	Piston Assembly	10810
12	Grease Barrel Cap	10813
13	Protective Plug (for Grease Barrel Cap)	10568

 **Caution!**

Pressure ratings must not be exceeded!
All hoses, fittings, and connections must be checked, tightened, and securely fastened on a regular basis. Weak, worn or damaged hoses can rupture - causing human injury and property damage. Always use damage-free components and discard a hose after 3 years of use or before, if any signs of damage have occurred.

• Most DUALCO products are designed for industry use, not for home use.



Producing Professional Lubrication products since 1960. Products are made and assembled in the USA. 100% Repairable and Recyclable.

