

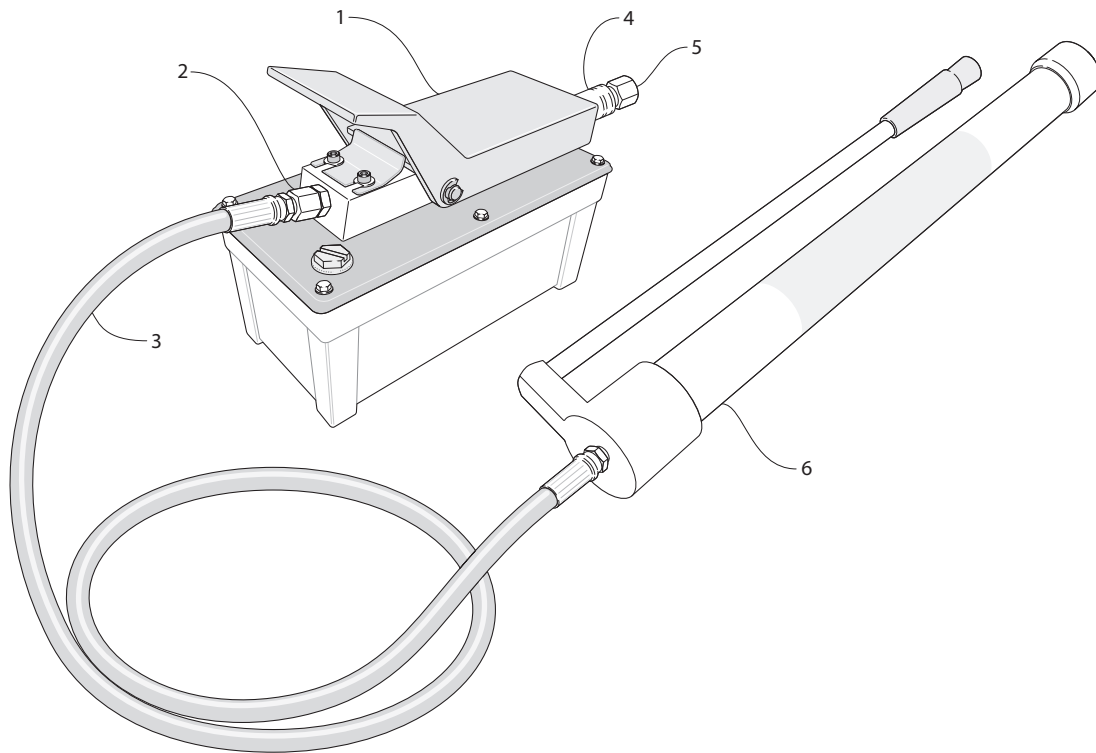
Revision 7/16/24

Parts Diagram



Safety First!

Use only Genuine Dualco Parts.
Contact Dualco for repair, or rebuilding
procedures.



General

Key	Description	Part No.
1	Pump, Air Hydraulic	11134M
2	Reducer	10344
3	Hydraulic Fluid Hose	11037
4	Quick Connect Coupler	11137
5	Quick Connect Plug	11138
6	Body / Grease Barrel Assembly	See Page 2 ▶

Capacities:	Two "J" size sticks
	20 oz
	35 in ³
Grease Outlet (Cap-10813)	1/4" NPT(f)



Producing Professional Lubrication products since 1960. Products are made and assembled in the USA. 100% Repairable and Recyclable.

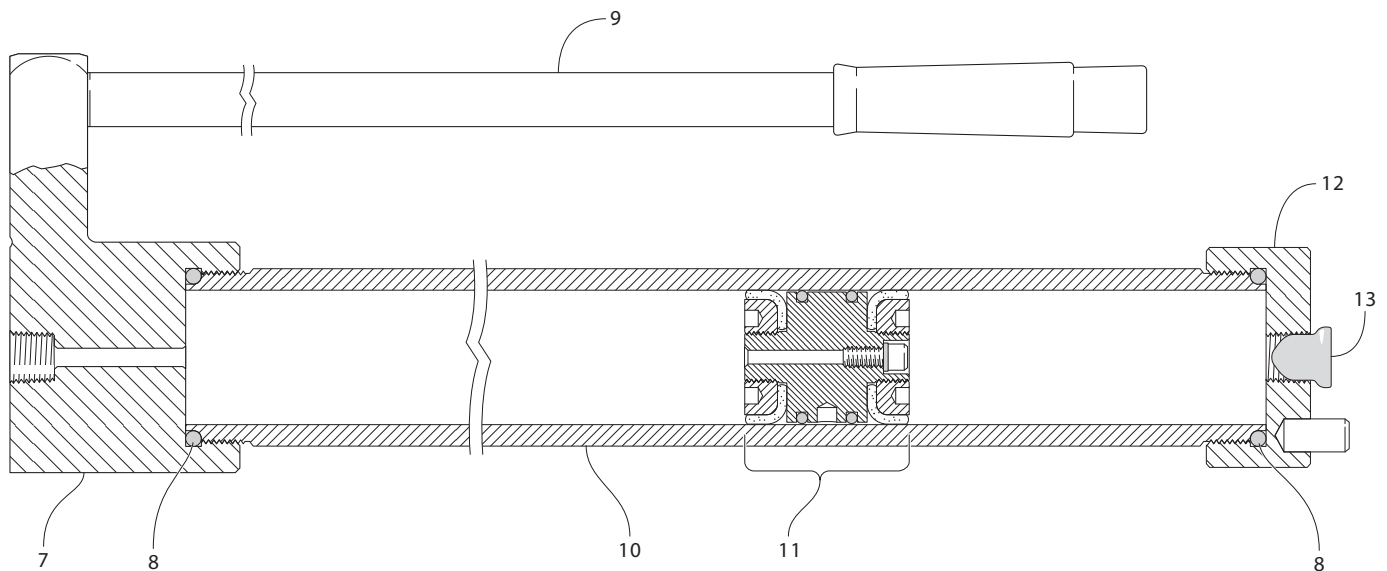


© 2024 Dualco-Inc

8404 Braniff
Houston, Texas 77061
713-644-1164 • FAX 713-644-7761
www.dualco-inc.com

Revision 7/16/24

Body / Grease Barrel Assembly



Body / Grease Barrel Assembly

Key	Description	Part No.
7	Body	11132
8	"O" Ring (2 Required)	10811
9	Handle / Piston Return Tool	11141
10	Grease Barrel 20 oz	11136
11	Piston Assembly	10810
12	Grease Barrel Cap	10813
13	Protective Plug (for Grease Barrel Cap)	10568

Caution!

Pressure ratings must not be exceeded!
All hoses, fittings, and connections must be checked, tightened, and securely fastened on a regular basis. Weak, worn or damaged hoses can rupture - causing human injury and property damage. Always use damage-free components and discard a hose after 3 years of use or before, if any signs of damage have occurred.

• Most DUALCO products are designed for industry use, not for home use.



Producing Professional Lubrication products since 1960. Products are made and assembled in the USA. 100% Repairable and Recyclable.

