

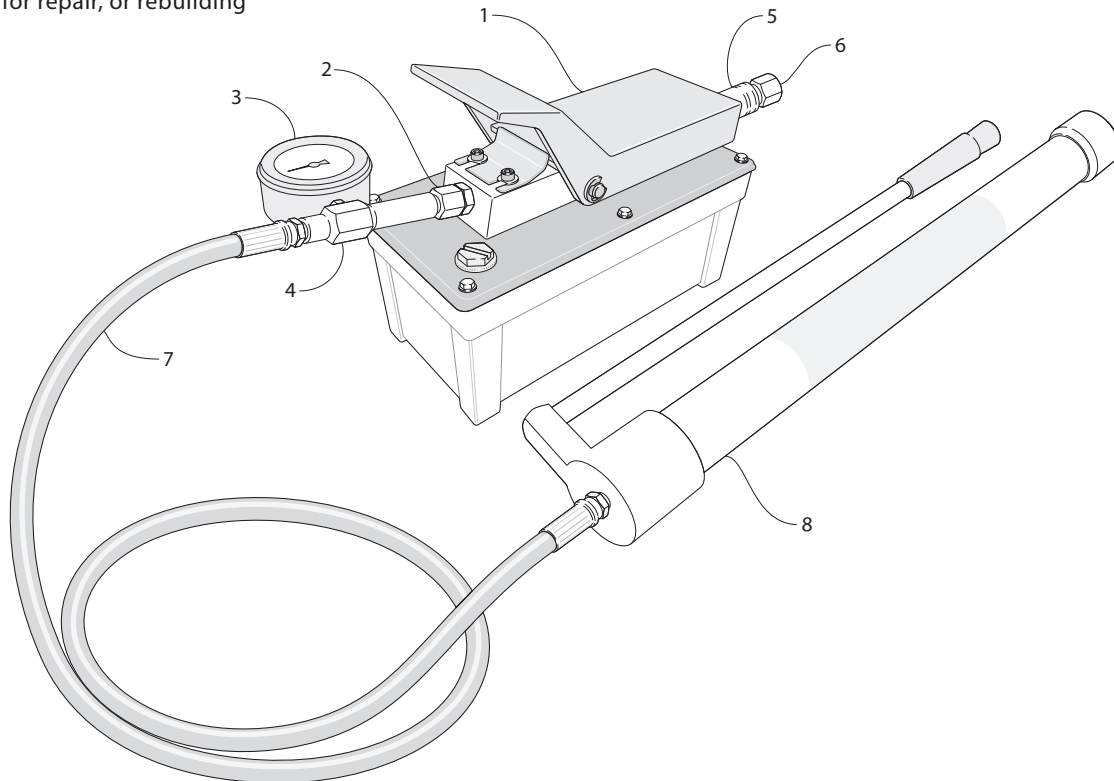
Revision 7/16/24

Parts Diagram



Safety First!

Use only Genuine Dualco Parts.
Contact Dualco for repair, or rebuilding
procedures.



General

Key	Description	Part No.
1	Pump, Air Hydraulic	11134M
2	Reducer	10344
3	Gauge w/ Cover	11475
4	Gauge Tee	10844
5	Quick Connect Coupler	11137
6	Quick Connect Plug	11138

General (continued)

Key	Description	Part No.
7	Hydraulic Fluid Hose	11037
8	Body / Grease Barrel Assembly	See Page 2 ▶
Capacities: Two "J" size sticks		
20 oz		
35 in ³		
Grease Outlet (Cap-10813)		1/4" NPT(f)

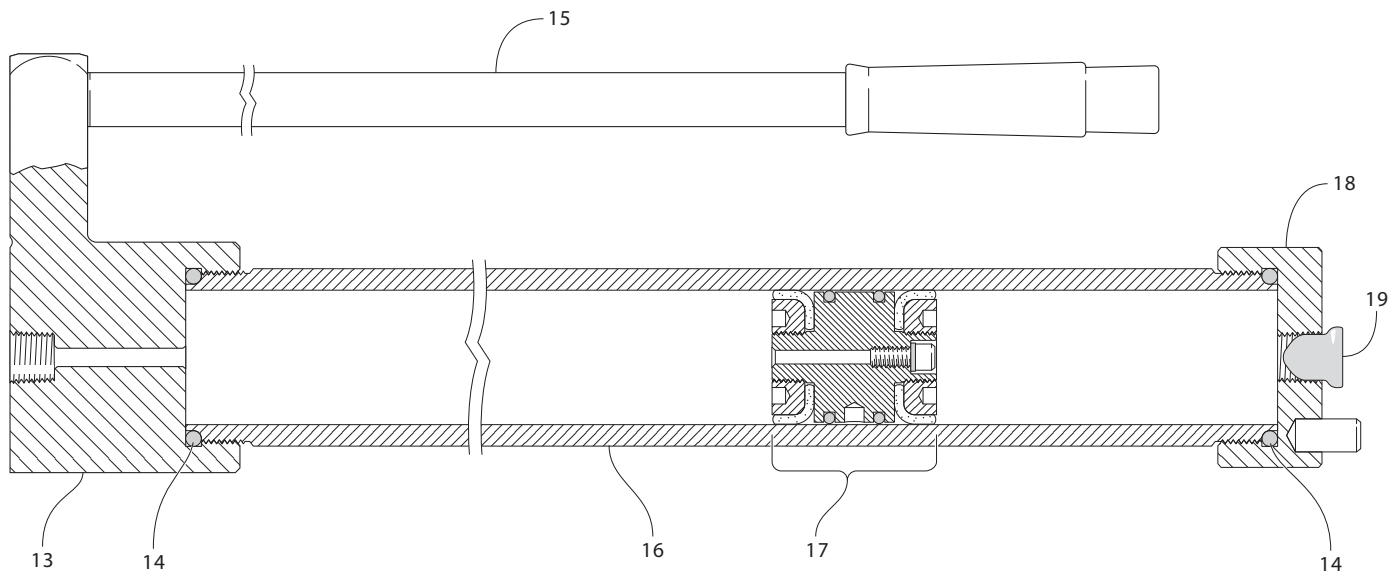


Producing Professional Lubrication products
since 1960. Products are made and assembled
in the USA. 100% Repairable and Recyclable.



Revision 7/16/24

Body / Grease Barrel Assembly



Body / Grease Barrel Assembly

Key	Description	Part No.
13	Body	11132
14	"O" Ring (2 Required)	10811
15	Handle / Piston Return Tool	11141
16	Grease Barrel 20 oz	11136
17	Piston Assembly	10810
18	Grease Barrel Cap	10813
19	Protective Plug (for Grease Barrel Cap)	10568

Caution!
Pressure ratings must not be exceeded!

All hoses, fittings, and connections must be checked, tightened, and securely fastened on a regular basis. Weak, worn or damaged hoses can rupture - causing human injury and property damage. Always use damage-free components and discard a hose after 3 years of use or before, if any signs of damage have occurred.

• Most DUALCO products are designed for industry use, not for home use.



Producing Professional Lubrication products since 1960. Products are made and assembled in the USA. 100% Repairable and Recyclable.

