

Revision 7/16/24

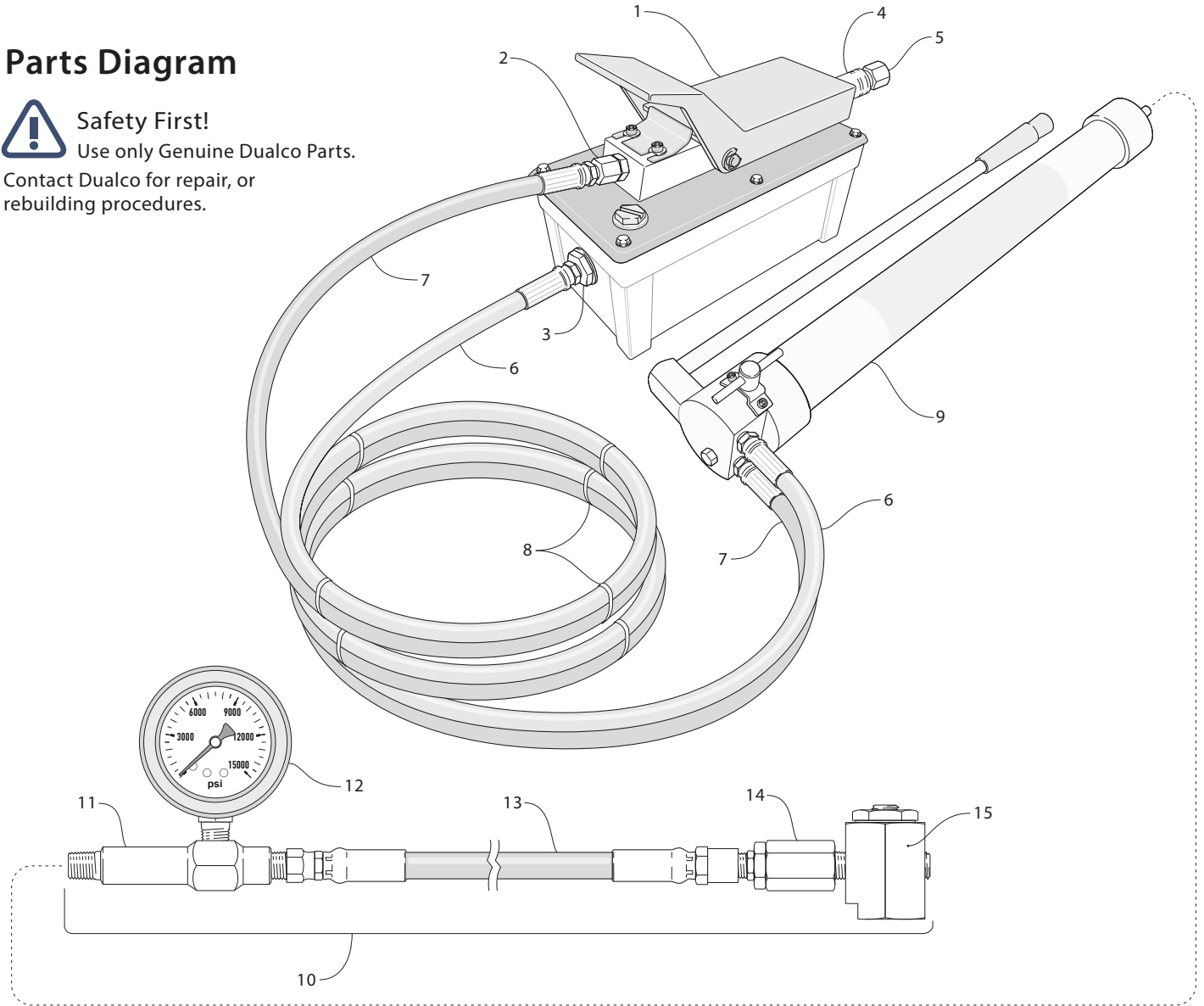
Parts Diagram



Safety First!

Use only Genuine Dualco Parts.

Contact Dualco for repair, or rebuilding procedures.



General

Key	Description	Part No.
1	Pump	11134M
2	Reducer	10344
3	Bulkhead Fitting	11471
4	Quick Connect Coupler	11137
5	Quick Connect Plug	11138

General (continued)

Key	Description	Part No.
6	Hydraulic Fluid Return Hose	1233663
7	Hydraulic Fluid Pump (Supply) Hose	11181
8	Cable Tie (8 Required)	11793
9	Body & Grease Barrel Assemblies	See Page 2 ▶

Hose Assembly

Key	Description	Part No.
10	Hose Assembly	10876
11	Gauge Tee	10844
12	Gauge w/ Cover	11475
13	Hose	10872
14	Swivel	10641
15	GBH Coupler	10850

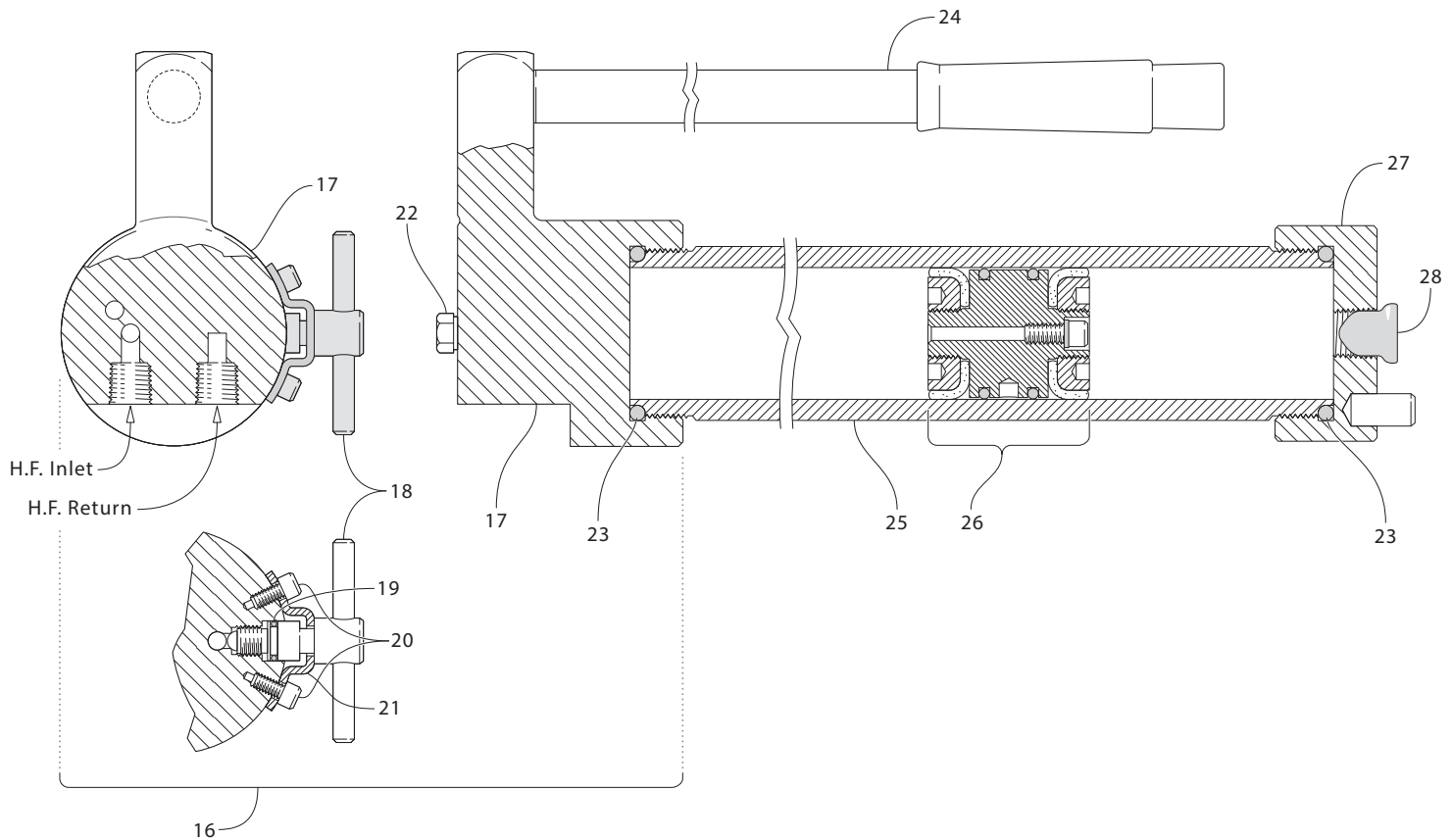


Producing Professional Lubrication products since 1960. Products are made and assembled in the USA. 100% Repairable and Recyclable.



Revision 7/16/24

Body / Grease Barrel Assembly



Body & Grease Barrel Assemblies

Key	Description	Part No.
16	Body Assembly	11426
17	Body • Air Gun with fluid return outlet	11394
18	By-Pass Valve	10795
19	"O" Ring	10048
20	Cap Screw (2 Required)	10798
21	Stem Retainer (Double Stop)	10808
22	Plug	10030
23	"O" Ring (2 Required)	10811

Body & Grease Barrel Assemblies (continued)

Key	Description	Part No.
24	Handle / Piston Return Tool	11141
25	Grease Barrel 20 oz	11136
26	Piston Assembly	10810
27	Grease Barrel Cap	10813
28	Protective Plug (for Grease Barrel Cap)	10568
Capacities: Two "J" size sticks		
	20 oz	
	35 in ³	

Caution!
Pressure ratings must not be exceeded!

All hoses, fittings, and connections must be checked, tightened, and securely fastened on a regular basis. Weak, worn or damaged hoses can rupture - causing human injury and property damage. Always use damage-free components and discard a hose after 3 years of use or before, if any signs of damage have occurred.

• Most DUALCO products are designed for industry use, not for home use.



Producing Professional Lubrication products since 1960. Products are made and assembled in the USA. 100% Repairable and Recyclable.

