

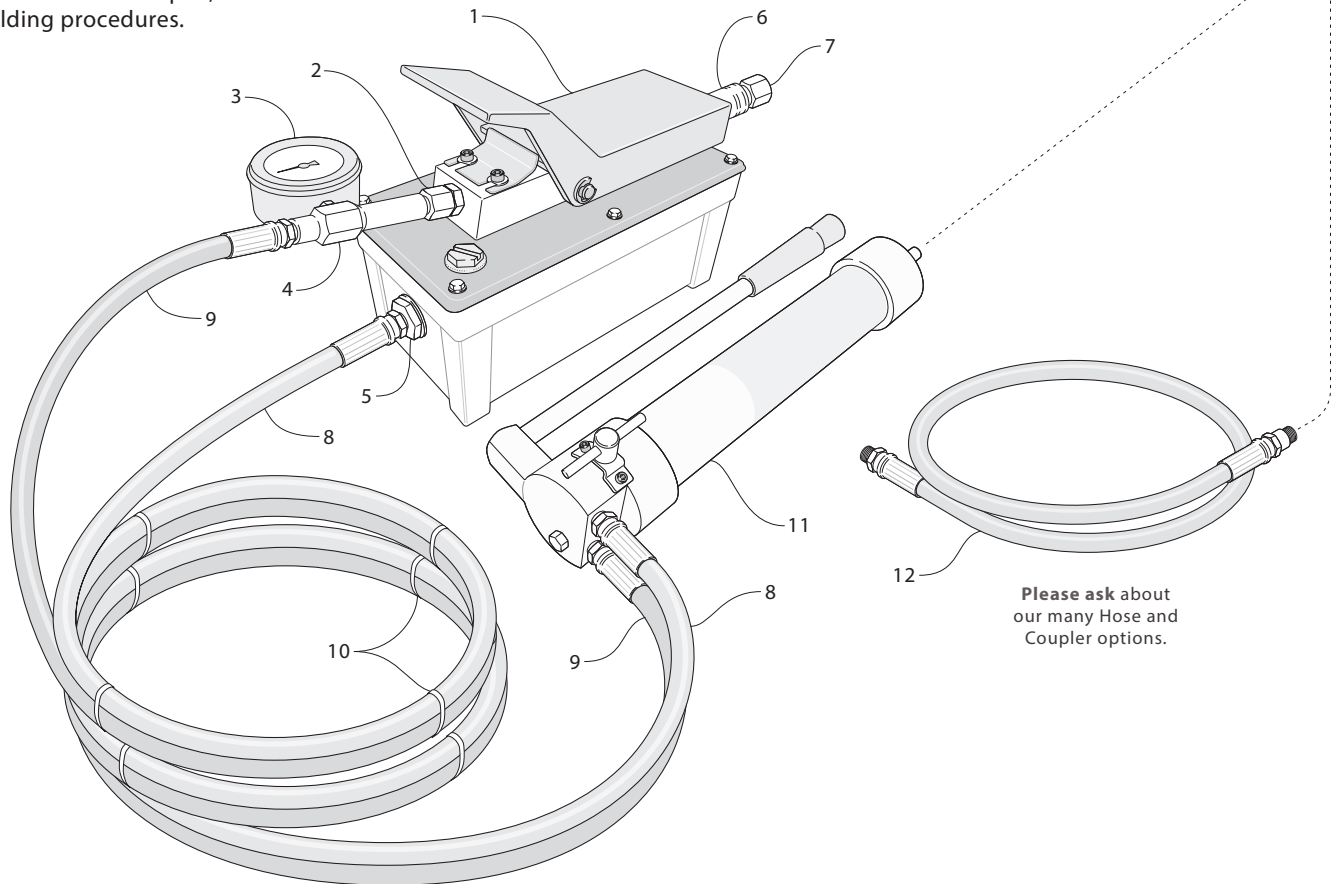
Revision 7/16/24

Parts Diagram



Safety First!

Use only Genuine Dualco Parts.

Contact Dualco for repair, or
rebuilding procedures.Please ask about
our many Hose and
Coupler options.

General

Key	Description	Part No.
1	Pump	11134M
2	Reducer	10344
3	Gauge w/ Cover	11475
4	Gauge Tee	10844
5	Bulkhead Fitting	11471
6	Quick Connect Coupler	11137

General (continued)

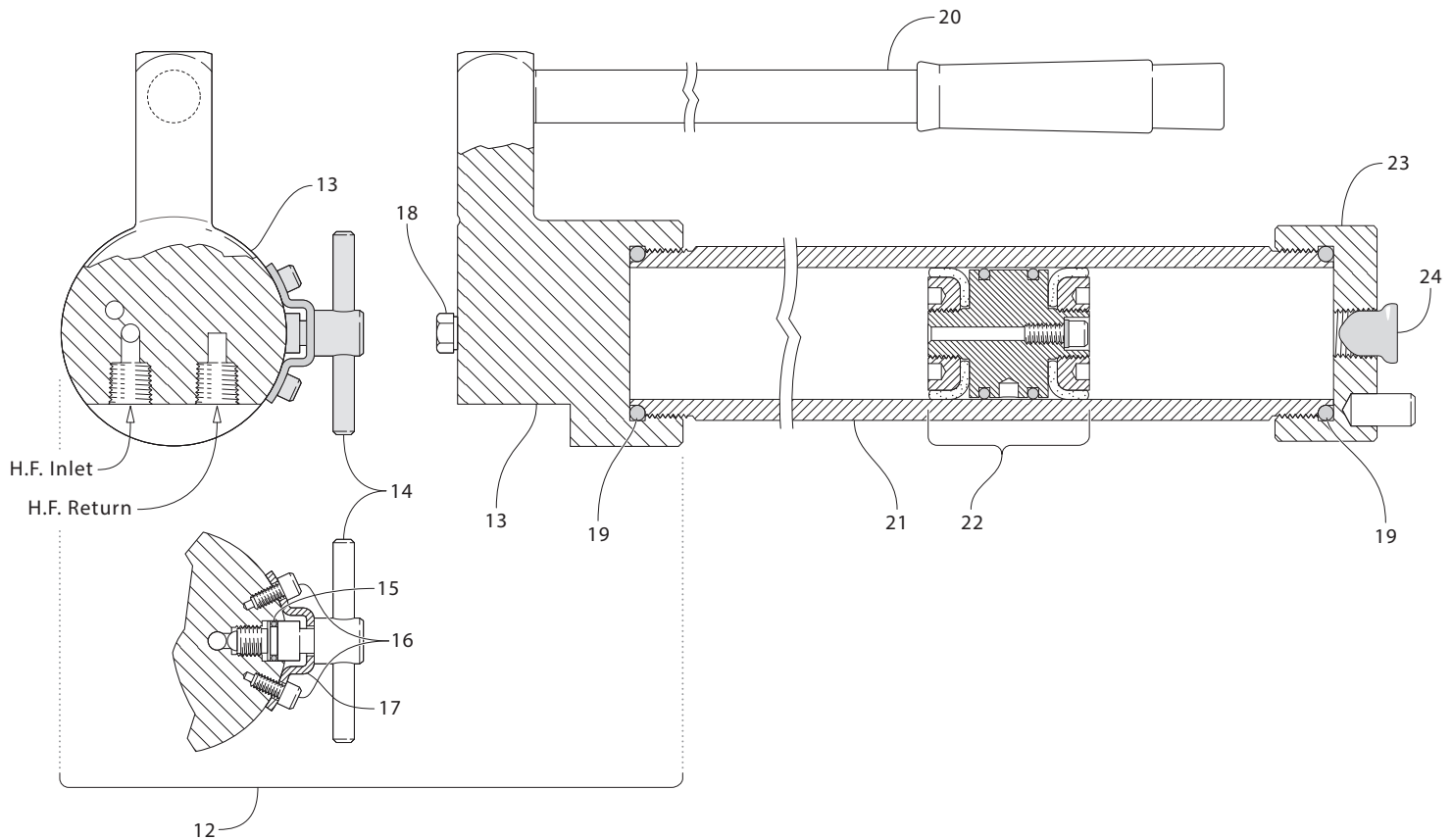
Key	Description	Part No.
7	Quick Connect Plug	11138
8	Hydraulic Fluid Return Hose	1233663
9	Hydraulic Fluid Pump (Supply) Hose	11181
10	Cable Tie (8 Required)	11793
11	Body & Grease Barrel Assemblies	See Page 2 ▶
12	Grease Hose	2439106

Capacities:	One "J" size stick
	9-1/2 oz
	17 in ³

Producing Professional Lubrication products
since 1960. Products are made and assembled
in the USA. 100% Repairable and Recyclable.

Revision 7/16/24

Body / Grease Barrel Assembly



Body & Grease Barrel Assemblies

Key	Description	Part No.
12	Body Assembly	11426
13	Body • Air Gun with fluid return outlet	11394
14	By-Pass Valve	10795
15	"O" Ring	10048
16	Cap Screw (2 Required)	10798
17	Stem Retainer (Double Stop)	10808
18	Plug	10030
19	"O" Ring (2 Required)	10811

Body & Grease Barrel Assemblies (continued)

Key	Description	Part No.
20	Handle / Piston Return Tool	10776
21	Grease Barrel 9.5 oz.	10961
22	Piston Assembly	10810
23	Grease Barrel Cap	10813
24	Protective Plug (for Grease Barrel Cap)	10568

Caution!
Pressure ratings must not be exceeded!

All hoses, fittings, and connections must be checked, tightened, and securely fastened on a regular basis. Weak, worn or damaged hoses can rupture - causing human injury and property damage. Always use damage-free components and discard a hose after 3 years of use or before, if any signs of damage have occurred.

• Most DUALCO products are designed for industry use, not for home use.



Producing Professional Lubrication products since 1960. Products are made and assembled in the USA. 100% Repairable and Recyclable.

